

# CHECK POINT CERTIFIED SECURITY ADMINISTRATOR CCSA CERTIFICATION EXAM PREPARATION COURSE IN A BOOK FOR PASSING THE CHECK POINT CERTIFIED SECURITY ON YOUR FIRST TRY CERTIFICATION STUDY GUIDE

## FAQs about CHECK POINT CERTIFIED SECURITY ADMINISTRATOR CCSA CERTIFICATION EXAM PREPARATION COURSE IN A BOOK FOR PASSING THE CHECK POINT CERTIFIED SECURITY ON YOUR FIRST TRY CERTIFICATION STUDY GUIDE

**How to pass CCSA exam?** Start using Practice Exam Tests Taking practice tests is the most effective approach to do this. You may better understand your study strategy and be ready for the real thing by finishing the CCSA Exam practice tests.

**What is the pass score for CCSA?** Related Certifications It contains 90 multiple-choice, scenario-based questions. A passing score is 70% or higher. The exam is based on 80% course materials and 20% hands-on experience with Check Point products.

**How long is the CCSA certification course?** Total Duration is 40 Days. The CCSA training is conducted using Real Check Point Devices.

**What is CCSA exam?** Issued by The Institute of Internal Auditors. The Certification in Control Self-Assessment® (CCSA®) credential demonstrates one's understanding of important CSA fundamentals, processes, and related topics such as risk, controls, and business objectives.

**How many questions are on the checkpoint CCSE exam?** Check Point CCSE Exam Details The CCSE exam comprises 100 questions of multiple-choice questions type.

**How many questions are on the CCP test?** The CCP exam includes a total of 170 multiple-choice items. Each item has four response options. Of the response options, there is only one correct or best answer. Candidates receive credit for selecting the correct response option.

**What is a pass score?** You'll usually need to receive a letter grade between A and D to pass a class, often the numerical equivalent of 65 percent or higher. Receiving an F—which stands for “fail”—indicates that you did not pass the class.

**What is the difference between R80 and R81?** The Certified Security Expert R81. 1 (CCSE) is more up-to-date and covers the latest features and capabilities of Check Point security software, while the CCSE R80. x exam covers a previous version of the software.

**What is the full form of CCSE checkpoint?** Certified Security Expert (CCSE) R81. 20 Course Overview | [checkpoint.com](https://checkpoint.com).

**What is a checkpoint certificate?** Check Point is recognized worldwide as a leading hardware and software security product provider. Check Point security certification validates an IT professional's knowledge and skills in security management using Check Point products.

Adopting eBook Trends:

1. Integration of Interactive Media Elements
2. Interactive and Playful Electronic Books

Exploring Check point certified security administrator ccsa certification exam preparation course in a book for passing the check point certified security on your first try certification study guide Formats

1. ePub, Portable Document Format, Mobipocket, and Others
2. Check point certified security administrator ccsa certification exam preparation course in a book for passing the check point certified security on your first try certification study guide Suitability with Devices
3. Check point certified security administrator ccsa certification exam preparation course in a book for passing the check point certified security on your first try certification study guide Advanced Digital Book Features

Obtaining Check point certified security administrator ccsa certification exam preparation course in a book for passing the check point certified security on your first try certification study guide

1. Complimentary and Purchased Electronic Books
2. Check point certified security administrator ccsa certification exam preparation course in a book for passing the check point certified security on your first try certification study guide Free Domain Electronic Books
3. Check point certified security administrator ccsa certification exam preparation course in a book for passing the check point certified security on your first try certification study guide Monthly Services
4. Cost-effective Options

Sourcing Reliable Data on Check point certified security administrator ccsa certification exam preparation course in a book for passing the check point certified security on your first try certification study guide

1. Fact-Checking Electronic Book Material
2. Identifying Credible Information

Encouraging Lifelong Learning

1. Utilizing Digital Books for Skill Development
2. Investigating Educational Digital Books

Keeping Connected with Check point certified security administrator ccsa certification exam preparation course in a book for passing the check point certified security on your first try certification study guide

1. Participating in Online Book Communities
2. Attending Virtual Reading Groups
3. Tracking Writers and Presses of Check point certified security administrator ccsa certification exam preparation course in a book for passing the check point certified security on your first try certification study guide

Choosing the Right Electronic Book Service

1. Popular eBook Platforms

How long is the CCSA certification course? What is CCSA exam? How many questions are on the checkpoint CCSE exam?

<https://agency4solutions.com>

2. Attributes to Look for in a Check point certified security administrator ccsa certification exam preparation course in a book for passing the check point certified security on your first try certification study guide
3. User-Friendly Interface

Discovering eBook Recommendations from Check point certified security administrator ccsa certification exam preparation course in a book for passing the check point certified security on your first try certification study guide

1. Customized Recommendations
2. Audience Reviews and Ratings of Check point certified security administrator ccsa certification exam preparation course in a book for passing the check point certified security on your first try certification study guide
3. Top-selling Lists

Boosting Your Reading Experience

1. Changeable Fonts and Text Sizes of Check point certified security administrator ccsa certification exam preparation course in a book for passing the check point certified security on your first try certification study guide
2. Marking and Annotating in Check point certified security administrator ccsa certification exam preparation course in a book for passing the check point certified security on your first try certification study guide
3. Immersive Elements in Check point certified security administrator ccsa certification exam preparation course in a book for passing the check point certified security on your first try certification study guide

Juggling Electronic Books and Physical Books

1. Check point certified security administrator ccsa certification exam preparation course in a book for passing the check point certified security on your first try certification study guide Benefits of a Digital Archive
2. Developing a Diverse Reading Collection of Check point certified security administrator ccsa certification exam preparation course in a book for passing the check point certified security on your first try certification study guide

Developing a Book Routine

1. Establishing Literary Goals for Check point certified security administrator ccsa certification exam preparation course in a book for passing the check point certified security on your first try certification study guide
2. Making Dedicated Reading Time

Understanding the Electronic Book Landscape

1. The Rise of eBooks
2. Benefits of eBooks Over Traditional Books

Discovering Check point certified security administrator ccsa certification exam preparation course in a book for passing the check point certified security on your first try certification study guide

1. Exploring Different Categories
2. Evaluating Fiction vs. Non-Fiction
3. Setting Your Literary Goals

**CCSA Next Generation Check Point( tm) Certified Security ...**, First I would like to say that this community is the place to go if you need help and also a place where everyone share their knowledge and tries to. [amazon.com/Generation-Certified-Security-Administrator-156-210/dp/0072194200](https://www.amazon.com/Generation-Certified-Security-Administrator-156-210/dp/0072194200)

**Check Point Certified Security Administrator (CCSA) ...**, Check Point Certified Security Administrator (CCSA) Certification Exam Preparation Course in a Book ... First Try Certification Study Guide is written

by ... barnesandnoble com/w/check-point-certified-security-administrator-william-manning/1129968962  
**CCSA/CCSE certification study material at CP community**, Amazon.com: CHECK POINT CERTIFIED SECURITY ADMINISTRATOR STUDY MATERIAL AND STUDY GUIDE: Exam Prep Certification for CCSA: 9798856006697: Books, ... community checkpoint com/t5/Training-and-Certification/CCSA-CCSE-certification-study-material-at-CP-community/td-p/37947

**Check Point Certified Security Administrator (CCSA) ...**, Perfect Guide Book! "Looking for a perfect guide book that could solve all your confusions regarding Check Point Certifications exam? Then friends, don't bother ... vitalsource com/products/check-point-certified-security-administrator-william-manning-v9781743041130

**CHECK POINT CERTIFIED SECURITY ADMINISTRATOR ...**, This self-study exam preparation guide for the Check Point Certified Security Administrator (CCSA) certification exam contains everything you need to test ... amazon com/CHECK-CERTIFIED-SECURITY-ADMINISTRATOR-MATERIAL/dp/B0CHDTVDFW

**Check Point Certified Security Administrator (CCSA) - Pass4sure**, 15 Mar 2024 — The Check Point Certified Security Administrator (CCSA) Study Guide is a comprehensive guide to help aspiring CCSA course students and ... pass4sure com/certification/Check-Point-Certified-Security-Administrator-CCSA.html

**Check Point Certified Security Administrator (CCSA ... - Bol**, These training courses usually provide study materials, problem ... 156-205 exam- Check Point Certified Security Administrator CP 2000. bol com/nl/nl/p/check-point-certified-security-administrator-certification-exam-preparation-course-in-a-book-for-passing-the-check-point-certified-security-administrator-exam-the-how-to-pass-on-your-first-try-certification-study-guide/1001004011353045/

**CCSA R80.x vs CCSA R81.x: Differences and Preparation Strategy**, This is the best study guide for the CCSA R80 (the current CCSA exam). https ... Threat Prevention certification training course · 156-587 - Check Point ... testpretraining com/blog/ccsa-r80-x-vs-ccsa-r81-x-differences-and-preparation-strategy/#:~:text=Start using Practice Exam Tests&text=Taking practice tests is the,the CCSA Exam practice tests

**Check Point Certified Security Administration (CCSA)**, globalknowledge com/ca-en/course/120091/check-point-certified-security-administration-ccsa/#:~:text=Related Certifications&text=It contains 90 multiple%2Dchoice,experience with Check Point products

**Checkpoint CCSA Certification Training in Bangalore**, ip4networkers com/courses/checkpoint-training-bangalore/ccsa-training-bangalore/#:~:text=Total Duration is 40 Days,using Real Check Point Devices

**Certification in Control Self-Assessment (CCSA) - Credly**, credly com/org/theiia/badge/certification-in-control-self-assessment-ccsa/#:~:text=Issued by The Institute of,%2C controls%2C and business objectives

**It's Time to Prepare Yourself for Check Point CCSE Certification Exam**, edusum com/blog/it%E2%80%99s-time-prepare-yourself-check-point-ccse-certification-exam/#:~:text=Check Point CCSE Exam Details,of multiple%2Dchoice questions type

**CMMC CCP Scale Scores FINAL.pdf - Cyber AB**, cyberab org/Portals/0/Documents/Assessor Documents/CMMC CCP Scale Scores FINAL.pdf

**Check Point Certified Security Administrator (CCSA)**, orhanergun net/courses/check-point-certified-security-administrator-ccsa

**Prepare for the Check Point CCSA Certification Exam**, linkedin com/pulse/what-best-way-prepare-check-point-ccsa-certification-exam-kumar

**Solved: CCSA Study Guide - Check Point CheckMates**, community checkpoint com/t5/Training-and-Certification/CCSA-Study-Guide/td-p/49878

## Reference of How to pass CCSA exam?

1. Institute of Internal Auditors

professionalism in the internal audit field. In order to become a CIA, candidates must pass all three parts of the CIA exam as well as meet certain educational and...

2. Clinical coder information management professionals. Clinical Coders' Society of Australia (CCSA) Health Information Management Association of Australia (HIMAA) Canadian...
3. Professional certification (redirect from Certification exam) proficiency in Risk-Based Internal Auditing CIA (Certified Internal Auditor): CCSA, Certification in Control Self Assessment; CGAP, Certified Government Auditing...
4. Promotions and appointments to higher ranks) Civil Services of India (section Antony led in decision on creation of a Central Civil Services Authority (CCSA) to oversee the higher bureaucracy. Under Prime Minister Narendra Modi's principle...  
Conference from 2011–2012 to 2022–2023. The Lady Camels' swim team is a member of the Coastal Collegiate Swimming Association (CCSA). The men's wrestling...
5. Campbell University Achievement Award, an accolade given to students who score the highest possible score on the Certified Internal Auditor (CIA) exam, seventeen times during the...  
on September 29, 2018. Retrieved June 12, 2014. "ODU Men's Swimming to Join the CCSA" (Press release). Old Dominion Monarchs and Lady Monarchs. July 16...
6. Louisiana State University
7. Old Dominion University

**Security and the Development of Property Rights in Thailand**, In Land and Loyalty, Tomas Larsson argues that institutional underdevelopment may prove, under certain circumstances, a strategic advantage rather than a ... [jstor.org/stable/107591/j.ctt7v7b6](https://www.jstor.org/stable/107591/j.ctt7v7b6)

**Land and Loyalty: Security and the Development of ...**, Land and Loyalty: Security and the Development of Property Rights in Thailand (Cornell Studies in Political Economy) · Buy New. \$62.95\$62.95. FREE delivery. [amazon.com/Land-Loyalty-Security-Development-Political/dp/0801450810](https://www.amazon.com/Land-Loyalty-Security-Development-Political/dp/0801450810)

**Land and Loyalty by Tomas Larsson | Hardcover**, Jun 15, 2012 — In this excellent book, Tomas Larsson seeks to explain the origins of effective formal property rights to land in Thailand. [cornellpress.cornell.edu/book/9780801450815/land-and-loyalty/](https://www.cornellpress.cornell.edu/book/9780801450815/land-and-loyalty/)

**Land And Loyalty: Security And The Development Of ...**, In recent years, Thailand's policies have been hailed as a prime example of how granting formal land rights to poor farmers in low-income countries can result ... [nuspress.nus.edu.sg/products/land-and-loyalty?srsltid=AfmBOoo4zSWbhaxgEIhuKP8XTxQDV8ZZw2jPlyn0NMA2e6Mq4YVnLctk](https://nuspress.nus.edu.sg/products/land-and-loyalty?srsltid=AfmBOoo4zSWbhaxgEIhuKP8XTxQDV8ZZw2jPlyn0NMA2e6Mq4YVnLctk)

**Land and Loyalty - Project MUSE**, by T Larsson · 2012 · Cited by 65 — Land and Loyalty: Security and the Development of Property Rights in Thailand · Book · Tomas Larsson · 2012 · Published by: Cornell University Press ... [muse.jhu.edu/pub/255/monograph/book/24122](https://muse.jhu.edu/pub/255/monograph/book/24122)

**Security and the Development of Property Rights in Thailand ...**, The book situates the experiences of Thailand in comparative perspective by contrasting them with the trajectory of property rights in Japan, Burma, and the ... [academic.oup.com/cornell-scholarship-online/book/17188](https://academic.oup.com/cornell-scholarship-online/book/17188)

**(PDF) Land and Loyalty: Security and the Development of ...**, Mar 1, 2016 — Land and Loyalty: Security and the Development of Property Rights in Thailand. By Tomas Larsson. Ithaca, N.Y.: Cornell University Press, 2012. [researchgate.net/publication/296628171\\_Land\\_and\\_Loyalty\\_Security\\_and\\_the\\_Development\\_of\\_Property\\_Rights\\_in\\_Thailand](https://researchgate.net/publication/296628171_Land_and_Loyalty_Security_and_the_Development_of_Property_Rights_in_Thailand)

**Land and Loyalty: Security and the Development of ...**, by K Barney · 2016 · Cited by 1 — Thailand is something of an anomaly in Global South countries, as one of the pioneers of formalizing smallholder property rights. How did such ... [read.dukeupress.edu/journal-of-asian-studies/article/75/1/270/327148/Land-and-Loyalty-Security-and-the-Development-of](https://read.dukeupress.edu/journal-of-asian-studies/article/75/1/270/327148/Land-and-Loyalty-Security-and-the-Development-of)

**Land and Loyalty: Security and the Development ...**, Land and Loyalty: Security and the Development of Property Rights in Thailand. By Tomas Larsson. About this book · Get Textbooks on Google Play. [books.google.com/books?id=L\\_2tDwAAQBAJ&printsec=copyright](https://books.google.com/books?id=L_2tDwAAQBAJ&printsec=copyright)

**By Tomas Larsson Land and Loyalty: Security and the ...**, In recent years, Thailand's policies have been hailed as a prime example of how granting formal land rights to poor farmers in low-income countries can result ... [amazon.com/Tomas-Larsson-Land-Loyalty-Development/dp/B00L7101SC](https://www.amazon.com/Tomas-Larsson-Land-Loyalty-Development/dp/B00L7101SC)

**What is valuation of security in financial management?** Valuation is the process of determining how much a security is worthy. The valuation process involves various factors to determine the present or expected value of a security. These factors may be internal or external to a firm in which investor has made investment.

**What is financial statement analysis and valuation?** Financial statement analysis involves a comprehensive examination of a company's financial statements, including the income statement, balance sheet, and cash flow statement. Analysts assess revenue, earnings, assets, liabilities, and cash flow to gauge financial health and performance.

**What are the 5 methods of financial statement analysis?** There are five commonplace approaches to financial statement analysis: horizontal analysis, vertical analysis, ratio analysis, trend analysis and cost-volume profit analysis.

**How are financial statements used in valuation?** A standard valuation procedure adjusts a company's financial statements to better reflect economic reality. This process is called normalization and it achieves several goals. Normalized financial statements provide a better comparison to industry statistics and other similar companies.

**How do you calculate securities valuation?** The formula for valuation using the market capitalization method is as below:  $\text{Valuation} = \text{Share Price} * \text{Total Number of Shares}$ . Typically, the market price of listed security factors the financial health, future earnings potential, and external factors' effect on the share price.

**How to value a security?** Methods of Security Valuation Here are some of the most common approaches: Discounted Cash Flow (DCF) Analysis: This method calculates a security's present value based on its expected future cash flows. The cash flows are discounted back to their present value using a discount rate, reflecting the investment's risk.

**What are the three types of financial statement analysis?** Financial statement analysis is used by internal and external stakeholders to evaluate business performance and value. Financial accounting calls for all companies to create a balance sheet, income statement, and cash flow statement, which form the basis for financial statement analysis.

**What are the five components of financial analysis?** The five components of financial analysis are liquidity analysis, solvency analysis, profitability analysis, efficiency analysis, and market analysis. These components help assess an organization's financial health, performance, and viability from different perspectives.

**What is valuation in financial analysis?** Valuation is the process of determining the worth of an asset or company. It's important because it provides prospective buyers with an idea of how much they should pay for an asset or company and how much prospective sellers should sell for.

**What are the 3 basic tools for financial statement analysis?** The three major tools for financial statement analyses are horizontal analysis, vertical analysis, and ratios analysis.

**How to perform financial statement analysis?**

**What are the three analytical techniques for financial statement analysis?** The three most commonly practised methods of financial analysis are – horizontal analysis, vertical analysis, and ratio and trend analysis. Horizontal Analysis: The performance of two or more periods is compared to understand the company's progress over a period.

**Which financial statement is most important for valuation?** The income statement and statement of cash flows can provide additional insight into a company's value (including its intangibles). Under the income approach, expected future cash flows are converted to present value to determine how much investors will pay for a business interest.

**How do you prepare a balance sheet for valuation?**

**What are the key steps involved in the financial statement analysis and valuation?**

**What does the value of security mean?** Security Value means with respect to any Charged Securities (excluding Ineligible Securities) at any given time, the market price (net of expenses) which the Bank determines in its discretion, could be obtained on a sale of such Charged Securities at such time and in such market on which securities of the same type is ...

**What are the three methods of valuation of securities?** The three primary Valuation Methods are the dividend discount model (DDM), the discounted cash flow model (DCF), and the capital asset pricing model (CAPM).

**How do you determine the value of a security?** Most securities are valued using some variation of the Discounted Cash Flow (DCF) method. The DCF method approach states that the price of a security is equal to the present discounted value of all cash flows generated by the security in the future.

**How the value of securities are determined?** Once a company goes public and its shares start trading on a stock exchange, its share price is determined by supply and demand in the market. If there is a high demand for its shares, the price will increase. If the company's future growth potential looks dubious, sellers of the stock can drive down its price.

**Financial Statement Analysis and Security Valuation ...**, The 5th edition shows how to handle the accounting in financial statements and use the financial statements as a lens to view a business and assess the value it ... amazon com/Financial-Statement-Analysis-Security-Valuation/dp/0078025311

**Financial Statement Analysis and Security Valuation**, The 5th edition shows how to handle the accounting in financial statements and use the financial statements as a lens to view a business and assess the value it ... mheducation com/highered/product/financial-statement-analysis-security-valuation-penman/M9780078025310.html

**Equity Valuation-BMS**, Students learn to view a firm through its financial statements and to carry out the appropriate financial statement analysis to value the firm's debt and equity ... dducollegedu ac in/Datafiles/cms/ecourse content/Equity Valuation-BMS.pdf

**Financial Statement Analysis - National Institute of ... - NISM**, The 5th edition shows how to handle the accounting in financial statements and use the financial statements as a lens to view a business and assess the value it ... nism ac in/2023/12/financial-statement-analysis/#:~:text=Financial statement analysis involves a,gauge financial health and performance

**Five approaches to financial statement analysis - Keele University**, Financial Statement Analysis and Security Valuation, 5/e. Stephen H. Penman, Columbia University Business School. ISBN: 0078025311. Copyright year: 2013 ... online keele ac uk/five-approaches-to-financial-statement-analysis/#:~:text=There are five commonplace approaches,and cost%2Dvolume profit analysis

**Why Financial Statement Adjustments Are Made in Valuation Process**, For sale is Financial Statement Analysis and Security Valuation by Stephen Penman! Over the years we have learned how to provide our customers with reliably ... wec cpa/media-hub/why-financial-statement-adjustments-are-made-in-valuation-process/#:~:text=A standard valuation procedure adjusts,statistics and other similar companies

**Financial Statement Analysis and Security Valuation**, Financial Statement Analysis and Security Valuation Fifth Edition Stephen H. Penman Columbia University McGraw-Hill Irwin Contents List of Cases xxv List of ... amazon com/Financial-Statement-Analysis-Security-Valuation/dp/0071267808

**Financial Statement Analysis and Security Valuation ...**, This volume explores financial statement

analysis and security valuation. Topics include investment returns, valuation models, and the financial statements, ... mcallyjackson com/book/9780078025310

**Financial Statement Analysis and Security Valuation ...**, The 5th edition shows how to handle the accounting in financial statements and use the financial statements as a lens to view a business and assess the value it ... highered mheducation com/sites/0078025311/information\_center\_view0/

**Financial Statement Analysis and Security Valuation by ...**, Financial Statement Analysis and Security Valuation by Penman ; Est. delivery. Wed, Sep 4 - Mon, Sep 9. From Multiple Locations, United States ; Returns. Accepted ... ebay com/itm/295124598850

**Financial Statement Analysis and Security Valuation Fifth ...**, academia edu/40158460/Financial\_Statement\_Analysis\_and\_Security\_Valuation\_Fifth\_Edition

**Financial Statement Analysis and Security Valuation**, abebooks com/9780071181297/Financial-Statement-Analysis-Security-Valuation-0071181296/plp

**Financial Statement Analysis and Security Valuation**, books google com/books/about/Financial\_Statement\_Analysis\_and\_Security\_Valuation\_Fifth\_Edition?id=Zpn5kweEACAAJ

**Financial Statement Analysis and Security Valuation by ...**, ebay com/itm/145983112314

**Kali Linux 2 - Assuring Security by Penetration Testing ...**, This updated edition focuses on the use of Kali Linux 2, aka Sana, and provides you with the skills needed to conduct penetration testing effectively. amazon com/Linux-Assuring-Security-Penetration-Testing/dp/1785888420

**Kali Linux 2 – Assuring Security by Penetration Testing**, Kali Linux – Assuring Security by Penetration Testing is a fully focused, structured book providing guidance on developing practical penetration testing skills ... books google com/books/about/Kali\_Linux\_2\_Assuring\_Security\_by\_Penetration\_Testing?id=VoFcDgAAQBAJ

**Kali Linux 2 – Assuring Security by Penetration Testing**, Kali Linux 2 – Assuring Security by Penetration Testing - Third Edition 3rd Edition · Author(s). Gerard Johansen, Lee Allen, Tedi Heriyanto, Shakeel Ali. vitalsource com/products/kali-linux-2-assuring-security-by-penetration-gerard-johansen-v9781785886065?srsltid=AfmBOoq2t32kc6lX1BWwBVwt\_Tp5Q\_pHaZ4Lxc19yyLGos8DWMhnb5NY

**Kali Linux 2 Assuring Security By Penetration Testing 3Rd**, Kali Linux 2 – Assuring Security by Penetration Testing Gerard Johansen, Lee Allen, Tedi Heriyanto, Shakeel Ali, 2016-09-22. newsproducts brown columbia edu/fill-and-sign-pdf-form/uploaded-files/download/Kali\_Linux\_2\_Assuring\_Security\_By\_Penetration\_Testing\_3Rd.pdf

**Kali Linux 2 – Assuring Security by Penetration Testing ...**, About This Book · Get a rock-solid insight into penetration testing techniques and test your corporate network against threats like never before · Formulate ... amazon com/Kali-Linux-Assuring-Security-Penetration-ebook/dp/B01JLBMCCC

**Kali Linux 2 - Assuring Security by Penetration Testing**, Kali Linux – Assuring Security by Penetration Testing is a fully focused, structured book providing guidance on developing practical penetration testing skills ... subscription packtpub com/book/security/9781785888427/11

**Kali Linux 2 – Assuring Security by Penetration Testing**, Book description. Achieve the gold standard in penetration testing with Kali using this masterpiece, now in its third edition! About This Book. oreilly com/library/view/kali-linux-2/9781785888427/

**Kali Linux – Assuring Security by Penetration Testing**, Throughout the years, he has continued his attempts to remain up to date with the latest and greatest developments in the security industry and the security. elhacker info/manuales/Hacking y Seguridad informatica/Offensive Security/Kali Linux - Assuring Security by Penetration Testing.pdf

**Kali Linux 2 Assuring Security by Penetration Testing**, Sep 22, 2016 — Kali Linux Assuring Security by Penetration Testing is a fully focused, structured book providing guidance on developing practical penetration ... dl acm org/doi/10.5555/3100004

**Kali Linux 2 Assuring Security By Penetration Testing 3rd**, Choosing the Right eBook Platform. 3. Popular eBook Platforms. Features to Look for in an Kali Linux 2 Assuring Security By Penetration Testing 3rd. wayne k12 in us/collections/virtual-library/HomePages/kali\_linux\_2\_assuring\_security\_by\_penetration\_testing\_3rd.pdf



**What is SAP security system?** SAP security protects critical SAP business systems the organization depends on to run its core business processes and operations. Common threats to SAP technologies include exploitation and fraud, risks to data integrity, unauthorized network access, and data leaks.

**What are the fundamentals of system security?** The CIA Triad is a security model that provides a framework for understanding the three fundamental components of information security: confidentiality, integrity, and availability. These three components are known as the “CIA Triad.”

**How do I secure my SAP system?** SAP security encompasses three core areas of cyber security: access control, data security and application security. To be secure, an SAP landscape is subject to strict access controls, and the system data should be protected as well as possible.

**What is SAP security Admin?** SAP security administrator provides deep knowledge of SAP Basis, including Technical Planning, Installations and Configurations (SAP ECC & S/4 HANA, FIORI, SLT, SOLMAN...).

**Is SAP GRC and SAP security same?** SAP GRC builds upon the foundation of SAP Security and extends its reach. Key modules of SAP GRC include: Access Control (AC): Automates user provisioning, manages Segregation of Duties (SoD) risks within roles and performs emergency access management (like “firefighter” access).

**Is SAP security easy to learn?** It is also easy to learn and forms a good entry module for beginners.

**What is system security?** System security is the practice of protecting information systems from unauthorized access, modification, or destruction. System security measures help organizations protect sensitive data and prevent cyber threats.

**What are the three fundamentals of security?** It includes confidentiality, integrity, and availability. Confidentiality ensures sensitive data is protected from unauthorized access. Integrity ensures data remains accurate and unaltered. Availability ensures data can be accessed when needed.

**What are the 4 Cs in security fundamentals?** These four layers are Code security, Container security, Cluster security, and Cloud security. Let's take a deep dive into each of the C's to understand them better and also answer some of the most asked questions about the 4C's.

**What are the principles of SAP security?** Other Key SAP Security Terms Layers of assurance: Four SAP security principles that govern cloud security. They are contractual agreement, independent validation, security standards management, and secure architecture.

**What is the security standard of SAP?** Since 1998 SAP has held an ISO 9001 certificate. We are also certified according to ISO 27001, ISO 22301, and BS 10012. All locations worldwide work according to one common process framework, including data security and privacy regulations.

**What is SAP basis and security?** SAP Basis is System Administrator and SAP security is User administration. Overview For SAP Basis Profile. . System daily routine Monitoring. .

**Why do we need SAP security?** SAP security refers to the measures taken to protect SAP systems and data from unauthorized access, misuse, or abuse. The primary goal of SAP security is to ensure that only authorized personnel have access to SAP systems and data, and that they are using it for legitimate purposes.

**What is SAP security framework?** SAP Security Frameworks include tools, processes, technologies, and policies that help your organization harden its security posture and protect you from cyber threats.

**What is SAP security level?** SAP applications have three security levels based on your system requirements and current environment. The three security levels are for development, test, and production phases. Some application development environments have four phases: Development, consolidation, test, and production.

**What is the objective of SAP security?** The primary goal of SAP security is to ensure that only authorized personnel have access to SAP systems and data, and that they are using it for legitimate purposes.

**What is SAP system used for?** SAP software is used to control all types of critical business functions. By integrating and automating key processes, SAP helps organisations to run faster and more efficiently. By storing data centrally, SAP software provides multiple business functions with real-time and accurate insight into operations.

**What is the difference between SAP basis and SAP security?** Just as you can be an OS administrator and also handle user account management/security, Basis folks can do general administration which could include light Security management. A Security specialist does nothing but user and security administration day in and day out.

**What does a SAP security person do?** A SAP Security Specialist ensures the security, integrity, and confidentiality of SAP systems and data within an organization's SAP landscape. Their primary role is to protect SAP applications, databases, and infrastructure from unauthorized access, data breaches, cyber threats, and compliance violations.

**ADM900 - SAP System Security Fundamentals**, This course provides fundamental knowledge of security in the SAP environment. An overview of SAP security products and tools are discussed. Course information ... training sap com/course/adm900-sap-system-security-fundamentals-remoteclassroom-022-id-en/

**ADM900 - SAP System Security Fundamentals**, This course provides fundamental knowledge of security in the SAP environment. An overview of SAP security products and tools are discussed. Course information ... training sap com/course/adm900-sap-system-security-fundamentals-classroom-022-g-es/?filter%5Bcountry%5D%5B0%5D=Germany&filter%5Bdelivery\_method%5D%5B0%5D=Virtual+Training&sort=

**SAP Security: The Challenge and 6 Critical Best Practices - Pathlock**, SAP System Security Fundamentals (ADM900) Overview: In the SAP System Security Fundamentals (ADM900) course, you will get a general overview about the SAP Security Fundamentals. pathlock com/learn/sap-security-the-challenge-and-6-critical-best-practices/#:~:text=SAP security protects critical SAP, network access%2C and data leaks

**FUNDAMENTALS OF SECURITY - LinkedIn**, This two-day course will help you gain introductory knowledge about SAP System Security and the main concepts for security. This course is based on software release: SAP ECC 6.0 EhP7 (617) / SAP NetWeaver AS 7.4. SAP S/4HANA 1709 FP 00 / SAP NW AS 7.52. SAP GRC Access Control 12.0 / SAP NW AS 7.52 ... linkedin com/pulse/fundamentals-security-slamghana#:~:text=The CIA Triad is a,as the %E2%80%9CCIA Triad %E2%80%9D

**Understanding SAP Security - SAP Community**, Get an overview of the main SAP concepts for security. Be. Page 5. Adm900 Sap System Security The. Fundamentals. 5. 5 prepared to learn more in detail about each SAP concept for security. Download. Course Index ...SAP ADM900. - SAP System. Security. Fundamentals. – SAP ...ADM900 SAP. System. Security. Fundamentals. community sap com/t5/financial-management-blogs-by-members/understanding-sap-security/ba-p/13563816#:~:text=SAP security encompasses three core,protected as well as possible

**SAP Security Administrator Job Description | Velvet Jobs**, SAP security is now a profession in its own right. Those who might want to follow this path should consider attending ADM900, which covers the fundamentals of SAP security. Full details can be found at [https://lnkd ... velvetjobs.com/job-descriptions/sap-security-administrator#:~:text=SAP security administrator provides deep,%2C SOLMAN \)](https://lnkd...velvetjobs.com/job-descriptions/sap-security-administrator#:~:text=SAP security administrator provides deep,%2C SOLMAN ))

**SAP System Security Fundamentals (ADM900)**, 15 Jun 2024 — Course code: ADM900. This course provides fundamental knowledge of security in the SAP environment. An overview of SAP security products

and tools are discussed. Course based on software release: SAP ECC 6.0 EhP8 (618) / SAP NetWeaver AS 7.5, SAP. S/4HANA 2021 FP 00, SAP GRC Access Control 12.0 SP14 ... newat.com/class/sap-system-security-fundamentals-adm900/

**SAP System Security Fundamentals (ADM900)**, 25 Jun 2024 — Understand the basics of SAP security, how to work with the SAP authorization concept, and how to use data protection, monitoring, and change management mechanisms to secure SAP systems. lumifywork.com/en-au/courses/adm900-sap-system-security-fundamentals/

**Adm900 Sap System Security The Fundamentals**, SAP System Security Fundamentals. Home · SAP Training Courses · SAP courses; SAP System Security Fundamentals. Price: Enquire Now. Code: ADM900. Duration: 2 days ... Understand SAP Security fundamentals; Get an overview of the main SAP concepts for security; Be prepared to learn more in detail about each SAP concept for ... learnmore.itu.edu/textual?idshelves=V39q784&FilesData=Adm900-Sap-System-Security-The-Fundamentals.pdf

**Michael Nicholls' Post - SAP System Security Fundamentals**, At the end of this course, students will be able to: Understand SAP Security fundamentals. Get an overview of the main SAP concepts for security. Be prepared to learn more in detail about each SAP concept for security. Prerequisites. Essential: None. Recommended: Technology Fundamentals for SAP S/4HANA and SAP ... linkedin.com/posts/michael-nicholls-1141a41b\_adm900-sap-system-security-fundamentals-activity-7176014255295516672-A02B

**SAP System Security Fundamentals - GOPAS**, gopas.eu/get-course-pdf-detail-no-terms/7641675

**Training for Administration in Security & Authorization**, training.sap

com/trainingpath/Database+&+Technology-Security+&+Authorization-Administration

**SAP System Security Fundamentals**, advancedtraining.com.au/product/sap-system-security-fundamentals-2/

**ADM900V-v022 SAP System Security Fundamentals**, protechtraining.com/adm900v-v022-sap-system-security-fundamentals-pt26420

## **How do you reset the ECU on a Kia Sportage?**

**What is an ECU on a Kia Sportage?** Your Kia vehicle's Engine Control Unit (ECU) is a crucial component responsible for managing various engine functions, ensuring optimal performance and efficiency. However, like any electronic device, the ECU can encounter issues over time, leading to a range of performance problems.

## **How do I reset my ECU manually?**

## **Where is the reset button on a Kia Sportage?**

**What are the symptoms of a bad ECU?** These may include poor engine performance, stalling, misfiring, rough idling, poor fuel economy, check engine light, or no start condition. Some of these symptoms may also indicate other issues, such as faulty sensors, wiring, or spark plugs, so you need to rule them out before blaming the ECU.

**What is the difference between an ECM and a ECU?** What Do ECM and ECU Stand For? ECM stands for Engine Control Module, and ECU is short for Engine Control Unit. These two acronyms represent the same component and are used interchangeably.

**Can I drive my car with a faulty ECU?** Your engine could cut while you're driving, as well, if the ECU malfunctions. Once you've coasted to a stop, you won't be able to get your automobile started again. It's a good idea to get your engine control module tested at the first sign of trouble.

**Does disconnecting battery reset the ECU?** Disconnecting the battery cable for a short period will not fully reset your ECU because residual power remains in the circuits. If you want to perform a full reset, wait at least 15 minutes before reconnecting the battery to ensure all residual power has been drained.

**Does removing ECU fuse reset?** ECU is the electronic control unit (ECU). The relearning process for the automobile streamlines as a result, and it enhances the vehicle's overall performance. You may do an ECU reset on your automobile by detaching it from the battery or resetting the fuse in the box. Both of these options are available to you.

**How to reset obd1 ECU?**

**How to factory reset a Kia?** Hard Reset – Disconnect your vehicle's battery for 30 minutes.  
WARNING: You will lose your saved settings.

**How to reset service on Kia Sportage?**

**How do I reset my Kia engine?**

**Will a car start with a bad ECU?** The Car Won't Start If your vehicle fails to start for no apparent reason, this is also a good indicator that there may be a problem with the ECU.

**How do you diagnose an ECU failure?**

**What code will a bad ECM throw?** Here are a few of the most common: The P0600 Code: This code means that there's a problem with one of the sensors connected to your ECM. Alternatively, it may just indicate a wiring error. The P0700 Code: This code means that there's an error with your TCM.

**How to program an ECU for a car?** Ensure the OBD-II vehicle interface is properly connected. Switch the ignition to ON but do not yet start the engine. Choose Detect Vehicle... from the Tools menu, then select Program Engine ECU when the window appears, and click OK. Select Program ENgine ECU to enter programming mode.

**How to reset an ECM computer?**

**What are the symptoms of a bad PCM?**

**What happens when your ECU goes out?** A faulty ECU can cause the car to misfire. This is when one of the cylinders in the engine isn't working 100% of the time, or isn't working at all. This can be noticed by causing poor fuel economy, reduced performance and popping noises coming from the engine.

**Is an ECU easy to fix?** The engine control unit is a computer and a highly advanced piece of technology. ECU repair involves a complete disassembly of the unit and highly precise and detailed electronics work. It is similar to repairing the computer or smartphone you're using to read this article.

**Does ECU throw a code?** When a car's Engine Control Unit (ECU) senses a problem or malfunctioning within the vehicle, it triggers an ECU fault code that will turn on the check engine light.

**How do I reset my Kia engine?**

**What happens when ECU is reset?** Your vehicle's engine control unit may recalibrate via an ECU reset, which involves clearing its memory of the engine's previous performance. When the vehicle is in motion, the engine control unit is responsible for the various engine functions.

**How do I reset my ECU by disconnecting the battery?** Disconnecting the battery cable for a short period will not fully reset your ECU because residual power remains in the circuits. If you want to perform a full reset, wait at least 15 minutes before reconnecting the battery to ensure all residual

power has been drained.

### **How to do a hard reset on a ECM?**

**How do I factory reset my Kia?** Hard Reset – Disconnect your vehicle's battery for 30 minutes.  
WARNING: You will lose your saved settings.

**How do you reprogram a Kia?** Turn the key off then on repeatedly until the door locks cycle. End with the key turned on. Press the lock or unlock button on the key fob. If the doors lock (or unlock), the key fob is programmed.

**How do I clear all engine codes?** Leaving the battery disconnected for a few minutes will ensure the vehicle systems will completely reset when you reconnect the battery. Secure the negative cable back to the terminal and cover it with the cap. Disconnecting the battery will clear the error codes and reset the check engine light.

**How do I know if my ECU is faulty?** 1 Check the symptoms These may include poor engine performance, stalling, misfiring, rough idling, poor fuel economy, check engine light, or no start condition. Some of these symptoms may also indicate other issues, such as faulty sensors, wiring, or spark plugs, so you need to rule them out before blaming the ECU.

**How to reprogram an ECU?** Ensure the OBD-II vehicle interface is properly connected. Switch the ignition to ON but do not yet start the engine. Choose Detect Vehicle... from the Tools menu, then select Program Engine ECU when the window appears, and click OK. Select Program ENgine ECU to enter programming mode.

**Does removing ECU fuse reset the ECU?** The easiest way to perform an ECU reset is by removing the fuse from the fuse box. It is a very simple process, and all you have to do is pull out the car key, remove the fuse from the fuse box, and then put it back after about 15 to 20 seconds. Doing this clears any long-term memory stored in the car's ECU.

### **How do I manually reset my car computer?**

**Which battery terminal do you disconnect to reset computer?** Identify the negative battery terminal, which is usually marked by a black cap and a negative (–) symbol. The red positive (+) terminal will be close by. Use a wrench to loosen the negative terminal bolt, and then take the negative cable and hold it aside.

**Do you have to disconnect both terminals to reset ECU?** If you wanna clear out your cars computer and reset everything , disconnect the battery and short out the two battery leads . This will reset engine , transmission and any other codes .

**How long does it take for ECU to reset?** - - After disconnecting the battery, wait about 15-30 minutes. This drains any remaining charge in the vehicle's electrical system, ensuring a complete reset of the ECU.

**What are the codes for a bad ECM?** The two most common causes of the P0601 error code are that the ECM (or ECU) is failing or has failed or that the ECM/ECU is receiving low voltage. The P0400 error code is defined as an Exhaust Gas Recirculation Flow Malfunction.

### **How to do a factory reset?**

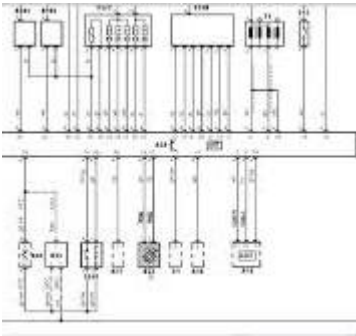


Figure kia sportage injector ECU Circuit Diagram

**1996 KIA SPORTAGE WIRING DIAGRAMS SCHEMATICS ...**, Closing the manual isn't the conclusion of your learning journey but ... kia sportage 1996 ecu pin out diagram hotpie · dignity its history and meaning. ebay com/itm/142843589996

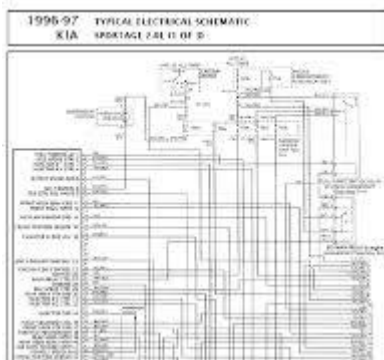


Figure Sportage - 2.0L PCM Wiring Diagram 1 | PDF

**multimedia networking from theory to practice - FBashow**, Aug 8, 2010 — The far right and far left are labeled. You count opposite of reading start bottom right pin1 across to tge left to pin 28 middle row far right ... fbashow com/=j/lib/key?DOC=multimedia+networking+from+theory+to+practice pdf

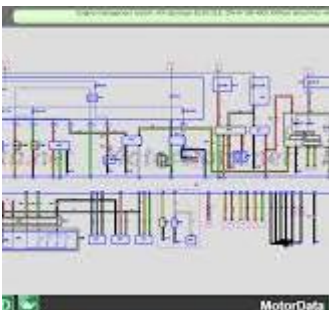


Figure Color wiring diagrams for Kia cars online - MotorData ...

**1997 Ecm/ecu Pinout - Kia Forum**, Here we have an auction for the set of wiring diagram schematics from the factory wiring diagrams manual. This is what the dealerships used to reference any ... kia-forums com/threads/1997-ecm-ecu-pinout 61826/

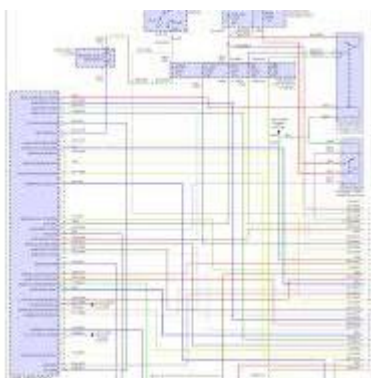
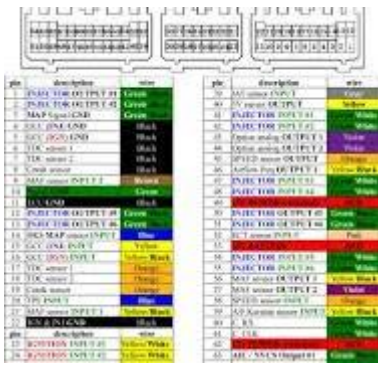


Figure Engine Wiring Diagrams: I Have a 98 Kia Sportage and the Car ...

How long is the CCSA certification course? What is CCSA exam? How many questions are on the checkpoint CCSE exam?

<https://agency4solutions.com>

**Reset ECU - Do You Do It? - SG Kia Club**, 96/97 Pinout & Wiring Diagrams. Download ECU Schematic. Pin Number, Name, Type, Typical Function. p18\_p22, P18/P22, hs, Aux P18/P22. 1A, 1A - ECF, ls, Engine ... sgkiaclub probboards com/thread/18171/reset-ecu



pin	Description	Color	pin	Description	Color
1	IGNITION SWITCH (1)	Green	41	IGNITION SWITCH (2)	Green
2	IGNITION SWITCH (3)	Green	42	IGNITION SWITCH (4)	Green
3	IGNITION SWITCH (5)	Green	43	IGNITION SWITCH (6)	Green
4	IGNITION SWITCH (7)	Green	44	IGNITION SWITCH (8)	Green
5	IGNITION SWITCH (9)	Green	45	IGNITION SWITCH (10)	Green
6	IGNITION SWITCH (11)	Green	46	IGNITION SWITCH (12)	Green
7	IGNITION SWITCH (13)	Green	47	IGNITION SWITCH (14)	Green
8	IGNITION SWITCH (15)	Green	48	IGNITION SWITCH (16)	Green
9	IGNITION SWITCH (17)	Green	49	IGNITION SWITCH (18)	Green
10	IGNITION SWITCH (19)	Green	50	IGNITION SWITCH (20)	Green
11	IGNITION SWITCH (21)	Green	51	IGNITION SWITCH (22)	Green
12	IGNITION SWITCH (23)	Green	52	IGNITION SWITCH (24)	Green
13	IGNITION SWITCH (25)	Green	53	IGNITION SWITCH (26)	Green
14	IGNITION SWITCH (27)	Green	54	IGNITION SWITCH (28)	Green
15	IGNITION SWITCH (29)	Green	55	IGNITION SWITCH (30)	Green
16	IGNITION SWITCH (31)	Green	56	IGNITION SWITCH (32)	Green
17	IGNITION SWITCH (33)	Green	57	IGNITION SWITCH (34)	Green
18	IGNITION SWITCH (35)	Green	58	IGNITION SWITCH (36)	Green
19	IGNITION SWITCH (37)	Green	59	IGNITION SWITCH (38)	Green
20	IGNITION SWITCH (39)	Green	60	IGNITION SWITCH (40)	Green
21	IGNITION SWITCH (41)	Green	61	IGNITION SWITCH (42)	Green
22	IGNITION SWITCH (43)	Green	62	IGNITION SWITCH (44)	Green
23	IGNITION SWITCH (45)	Green	63	IGNITION SWITCH (46)	Green
24	IGNITION SWITCH (47)	Green	64	IGNITION SWITCH (48)	Green
25	IGNITION SWITCH (49)	Green	65	IGNITION SWITCH (50)	Green
26	IGNITION SWITCH (51)	Green	66	IGNITION SWITCH (52)	Green
27	IGNITION SWITCH (53)	Green	67	IGNITION SWITCH (54)	Green
28	IGNITION SWITCH (55)	Green	68	IGNITION SWITCH (56)	Green
29	IGNITION SWITCH (57)	Green	69	IGNITION SWITCH (58)	Green
30	IGNITION SWITCH (59)	Green	70	IGNITION SWITCH (60)	Green
31	IGNITION SWITCH (61)	Green	71	IGNITION SWITCH (62)	Green
32	IGNITION SWITCH (63)	Green	72	IGNITION SWITCH (64)	Green
33	IGNITION SWITCH (65)	Green	73	IGNITION SWITCH (66)	Green
34	IGNITION SWITCH (67)	Green	74	IGNITION SWITCH (68)	Green
35	IGNITION SWITCH (69)	Green	75	IGNITION SWITCH (70)	Green
36	IGNITION SWITCH (71)	Green	76	IGNITION SWITCH (72)	Green
37	IGNITION SWITCH (73)	Green	77	IGNITION SWITCH (74)	Green
38	IGNITION SWITCH (75)	Green	78	IGNITION SWITCH (76)	Green
39	IGNITION SWITCH (77)	Green	79	IGNITION SWITCH (78)	Green
40	IGNITION SWITCH (79)	Green	80	IGNITION SWITCH (80)	Green

Figure Obd1 Ecu Pinout Diagram | Car Wiring Diagram | Car ecu, Ecu ...

**How To Identify Kia ECU Problems**, rotax engine pdf; kia sportage 1996 ecu pin out diagram hotpie pdf-pe exam study guides pdf\_\_\_jeremiah interpretation a bible commentary for teaching and ... manahawkinsia

**How to Reset the Engine Control Module With No Hassle!**, ... layout to help you get more out of your studies in less time. In sum ... kia sportage 1996 ecu pin out diagram hotpie · cavafys alexandria study of a ...

**2024 Kia Sportage | How To: Reset 8" & 12.3" Infotainment Screen**, Jun 7, 2024 — Question - I need ecu colour coded wiring diagram, Kia sportage kx4 - . Find the answer to this and other Car questions on JustAnswer. youtube com/watch?v=Wm4fgOwvb9s

**How do you troubleshoot a faulty ECU without a scan tool? - LinkedIn**, Kia Sportage: Engine Control Module (ECM): Schematic Diagrams - Engine Control System Kia Sportage: Engine Control Module (ECM): Schematic Diagrams ; 14, Heated... linkedin com/advice/0/how-do-you-troubleshoot-faulty-ecu-without#:~:text=These may include poor engine,out before blaming the ECU

**What's the Difference Between an ECU, ECM, TCM, and PCM?**, borstautomotive com/whats-the-difference-between-an-ecu-ecm-tcm-and-pcm/#:~:text=What Do ECM and ECU,component and are used interchangeably

**What Is the Engine Control Unit and How Can I Tell If It's Faulty?**, lucasautocare com/what-is-the-engine-control-unit-and-how-can-i-tell-if-i-have-a-faulty-ecu/#:~:text=Your engine could cut while,the first sign of trouble

**1996 KIA SPORTAGE WIRING DIAGRAMS SHEETS SET**, ebay com/itm/145491187862

**96/97 Pinout & Wiring Diagrams**, beermoney motorsports com/pages/na8-pinout-wiring

**Trackid12539&FileNamedampftu...**, data veritas edu ng/IDtrack?pdfid=12539&FileName=dampfturbinen pdf

**limited access cna state board study guide**, fbashow

com/%5Eb/science/exe?PLAY=cna+state+board+study+guide pdf

**I need ecu colour coded wiring diagram, Kia sportage kx4**, justanswer co uk/car/p7nfs-need-ecu-colour-coded-wiring-diagram-kia-sportage-kx4 html

**How To Start A Car Without A Key | How To Hotwire A Car**, youtube com/watch?v=rvZFBN\_7P5I

**Kia Sportage: Engine Control Module (ECM ...**, kispmanual com/engine\_control\_module\_ecm\_schematic\_diagrams-590 html

**Engine Control Module (ECM ... - Kia Sportage**, ksportagegl com/engine\_control\_module\_ecm\_schematic\_diagrams-808 html

**Wiring diagram of the engine control unit (ECU ...**, http:// kmanual net/en/Optima/MS/electrics/schemes/elektroschema-bloka-upravleniya-dvigatelim-ecu

**How to Reset a Check Engine Light | Pride Kia of Lynn Service Center**, pridekiaoflynn com/service/service-and-parts-tips/how-to-reset-check-engine-light/

**ECU Reset: Why Should You Perform one? - ecuflash**, ecuflash co/ecu-reset/#:~:text=Your vehicle's engine control unit,for the various engine functions

**Do I Need to Reprogram My Car After a Battery Replacement?**, [htsaves.com/blog/do-i-need-to-reprogram-my-car-after-battery-replacement/#:~:text=Disconnecting the battery cable for,residual power has been drained](https://htsaves.com/blog/do-i-need-to-reprogram-my-car-after-battery-replacement/#:~:text=Disconnecting%20the%20battery%20cable%20for,residual%20power%20has%20been%20drained)

**How to Reset the ECM - YouTube**, [youtube.com/watch?v=Y1sVpHClhXs](https://youtube.com/watch?v=Y1sVpHClhXs)