

CYBER SECURITY UNDERSTANDING CYBER CRIMES COMPUTER FORENSICS AND LEGAL PERSPECTIVES

Welcoming eBook Trends:

1. Incorporation of Interactive Media Elements
2. Immersive and Playful eBooks

Understanding Cyber security understanding cyber crimes computer forensics and legal perspectives
Formats

1. EPUB, PDF, Mobipocket, and More
2. Cyber security understanding cyber crimes computer forensics and legal perspectives Adaptability with Devices
3. Cyber security understanding cyber crimes computer forensics and legal perspectives Enhanced eBook Features

Accessing Cyber security understanding cyber crimes computer forensics and legal perspectives

1. No-cost and Paid Digital Books
2. Cyber security understanding cyber crimes computer forensics and legal perspectives Open Access Digital Books
3. Cyber security understanding cyber crimes computer forensics and legal perspectives Subscription Services
4. Affordable Options

Finding Reliable Content on Cyber security understanding cyber crimes computer forensics and legal perspectives

1. Verifying Digital Book Content
2. Recognizing Credible References

Promoting Lifelong Learning

1. Using eBooks for Learning New Skills
2. Investigating Educational Electronic Books

Keeping Connected with Cyber security understanding cyber crimes computer forensics and legal perspectives

1. Becoming Part of Online Book Communities
2. Participating in Virtual Literary Circles
3. Tracking Authors and Book Producers of Cyber security understanding cyber crimes computer forensics and legal perspectives

Picking the Right Electronic Book Platform

1. Widely Used Electronic Book Services
2. Attributes to Look for in a Cyber security understanding cyber crimes computer forensics and legal perspectives
3. Easy-to-Use Design

Exploring eBook Recommendations from Cyber security understanding cyber crimes computer forensics and legal perspectives

1. Personalized Recommendations
2. User Reviews and Ratings of Cyber security understanding cyber crimes computer forensics and legal perspectives
3. Bestseller Lists

Improving Your Reading Experience

1. Adjustable Fonts and Text Sizes of Cyber security understanding cyber crimes computer forensics and legal perspectives
2. Marking and Note-Taking in Cyber security understanding cyber crimes computer forensics and legal perspectives
3. Immersive Elements in Cyber security understanding cyber crimes computer forensics and legal perspectives

Juggling Electronic Books and Printed Books

1. Cyber security understanding cyber crimes computer forensics and legal perspectives Advantages of a Digital Collection
2. Building a Diverse Library of Cyber security understanding cyber crimes computer forensics and legal perspectives

Developing a Literary Routine

1. Establishing Book Goals for Cyber security understanding cyber crimes computer forensics and legal perspectives
2. Making Dedicated Book Time

Comprehending the eBook Industry

1. The Rise of eBooks
2. Pros of Digital Books Over Traditional Books

Identifying Cyber security understanding cyber crimes computer forensics and legal perspectives

1. Discovering Different Types
2. Considering Fiction vs. Non-Fiction
3. Identifying Your Reading Goals

Understanding Cyber Crimes, Computer Forensics And ..., This book is obviously good with great theory part of cybersecurity , to understand Cybercrimes & some extra details related to cybersecurity & Forensic and ... amazon com/Cyber-Security-Understanding-Forensics-Perspectives/dp/8126521791

cyber+security+understanding+cyber+crimes+computer ..., What do you understand by computer forensics in cyber security? Computer forensics is a field of technology that uses investigative techniques to identify ... conferencia spiritsec

com/app/courses/INTRODUCTIONARTIFICIALINTELLIGENCE/document/computer-data/cyber+security+understanding+cyber+crimes+computer+forensics+and+legal+perspectives pdf

Understanding Cyber Crimes, Computer Forensics And ..., Cyber Security: Understanding Cyber Crimes, Computer Forensics And Legal Perspectives by Sunit Belapure Nina Godbole - ISBN 10: 8126521791 - ISBN 13: ... abebooks com/9788126521791/Cyber-Security-Understanding-Crimes-Computer-8126521791/plp

WILEY INDIA - Cyber Security - Understanding ..., Understanding Cyber Crimes, Computer Forensics and Legal Perspectives-Nina Godbole, Sunit Belapure, Kamlesh Bajaj (2011) scribd com/document/661638611/WILEY-INDIA-Cyber-Security-Understanding-Cyber-Crimes-Computer-Forensics-and-Legal-Perspectives-Nina-Godbole-Sunit-Belapure-Kamlesh-Bajaj-2011

UNDERSTANDING CYBER CRIMES COMPUTER ..., Click for full-size. CYBER SECURITY: UNDERSTANDING CYBER CRIMES COMPUTER FORENSICS AND LEGAL PERSPECTIVES. by

Godbole, NINA GODBOLE, SUNIT BELAPURE. New ... biblio com/book/cyber-security-understanding-cyber-crimes-computer/d/1593202733?srsltid=AfmBOoos0cAoeG2a29hKiqT3DdKM-foV4zClAbQoEXunxZ-jTwljUCFP

Understanding Cyber Crimes, Computer Forensics And Legal ..., This book, focusing on cyberthreats and cybersecurity, provides the much needed awareness in the times of growing cybercrime episodes. bestbookmart com/bookinfo/297923/CYBER-SECURITY-Understanding-Cyber-Crimes-Computer-Forensics-And-Legal-Perspectives-With-CD

Cyber Security Understanding Cyber Crimes, Computer ..., Understanding Cyber Crimes, Computer Forensics And Legal Perspectives (Wiley India) (z-lib Course: Network Security 5 Documents University: Jawaharlal Nehru ... studocu com/in/document/jawaharlal-nehru-technological-university-hyderabad/network-security/cyber-security-understanding-cyber-crimes-computer-forensics-and-legal-perspectives-wiley-india-z-lib/36436214

Understanding Cyber Crimes, Computer Forensics And ..., Cyber Security: Understanding Cyber Crimes, Computer Forensics And Legal Perspectives. by Nina Godbole. New. Condition: New; ISBN 10: 8126521791 ... biblio com/book/cyber-security-understanding-cyber-crimes-computer/d/1387778460?srsltid=AfmBOopj5e3bdcB_M40D0PJS_rfsB8swwBysdHiy1Xqa8YSZxXz6YIve
CYBER SECURITY R20A6202, TEXT BOOKS: 1. Nina Godbole and Sunit Belpure, Cyber Security Understanding Cyber Crimes,. Computer Forensics and Legal Perspectives, Wiley. 2. B. B. Gupta, ... mrcet com/downloads/digital_notes/IT/CYBER SECURITY pdf

Cyber Security Understanding Cyber Crimes, Computer ..., Cyber Security Understanding Cyber Crimes, Computer Forensics and Legal Perspectives (WILEY INDIA) (Z-Library) - Free ebook download as PDF File (.pdf) or ... scribd com/document/683590954/Cyber-Security-Understanding-Cyber-Crimes-Computer-Forensics-and-Legal-Perspectives-WILEY-INDIA-Z-Library

Reference of Understanding Cyber Crimes, Computer Forensics And ...

1. Cybercrime (redirect from Cyber crimes) organizations, and governments. In 2000, the tenth United Nations Congress on the Prevention of Crime and the Treatment of Offenders placed cyber crimes into five...
2. Cyberwarfare (redirect from Cyber security attack) Cyberwarfare is the use of cyber attacks against an enemy state, causing comparable harm to actual warfare and/or disrupting vital computer systems. Some intended...
3. Computer security Representative Definition of Cyber Security". Journal of Digital Forensics, Security and Law. 12 (2). ISSN 1558-7215. Computer security at the Encyclopædia...
4. Forensic linguistics the written law, understanding language use in forensic and judicial processes, and the provision of linguistic evidence. Forensic speech science also...
5. Security hacker (redirect from Computer hackers) controversy, computer programmers reclaim the term hacker, arguing that it refers simply to someone with an advanced understanding of computers and computer networks...
6. Certified in Financial Forensics Certified in Financial Forensics (CFF) is a specialty credential in financial forensics issued in the United States by the American Institute of Certified...
7. Forensic accountant Principles and Practice of Accounting Computer and digital forensics Fraud Auditing and Forensic Accounting Criminal Investigations Studies on Fraud and Corruption...
8. National Cyber Security Centre (Ireland) The National Cyber Security Centre (NCSC) is a government computer security organisation in Ireland, an operational arm of the Department of the Environment...

- Lok Nayak Jayaprakash Narayan specializes in teaching criminology, cybersecurity, digital forensics and forensic science and is located in New Delhi, India. The institute was established...
9. National Institute of Criminology & Forensic Science
 10. Infostealer (section Distribution and use) (2021-07-26). "Understanding and Mitigating Banking Trojans: From Zeus to Emotet". 2021 IEEE International Conference on Cyber Security and Resilience (CSR)...
 11. Behavioral Analysis Unit (section History and structure) Violent Crimes Against Children program (VCAC). The Violent Crimes Against Children program aims to provide quick and proactive responses to threats and/or...
 12. Spyware (redirect from Computer barnacle) According to a 2005 study by AOL and the National Cyber-Security Alliance, 61 percent of surveyed users' computers were infected with some form of spyware...
 13. CSI effect (section Crimes) real forensics work,: 602 as graduates often lack a firm grasp of basic scientific principles that would come from a science degree. Many forensics students...
 14. List of cybercriminals (redirect from List of convicted computer criminals) Convicted computer criminals are people who are caught and convicted of computer crimes such as breaking into computers or computer networks. Computer crime can...
 15. Vulnerability (computer security) Sadie; Upton, David (2018). "A taxonomy of cyber-harms: Defining the impacts of cyber-attacks and understanding how they propagate". Journal of Cybersecurity...
 16. Malware (redirect from Computer contaminant) malware attacks as well as other crimes committed by computer, was predicted to cost the world economy US\$6 trillion in 2021, and is increasing at a rate of...
 17. Computational criminology (redirect from Computational forensics) mining, machine learning, and robotics. Computer forensics (also referred to as "digital forensics" or "forensic information technology") is one specific...
 18. International cybercrime (section Computer-related offenses) legislation and technical measures in tracking down crimes over the network, Internet content control, using public or private proxy and computer forensics, encryption...
 19. Crime science Medical Sciences, Economics, Computer Science, Psychology, Sociology, Criminology, Forensics, Law, and Public Management. Crime science was conceived by the...
 20. Script kiddie (category Hacking (computer security)) back and forth improvement suggests that the competition between cyber attackers and defenders will continue to increase. Black hat hacker Computer security...

Computer Security: Art and Science, Matt Bishop is a professor in the Department of Computer Science at the ... European Free Trade Association (EFTA), SOG-IS agreement, 762–764. [ptgmedia.com/images/9780321712332/samplepages/9780321712332_Sample.pdf](https://www.ptgmedia.com/images/9780321712332/samplepages/9780321712332_Sample.pdf)

Computer Security Art and Science [2 ed.] 0321712331, ..., Computer Security Second Edition Computer Security Art and Science Second Edition Matt Bishop with contributions from Elisabeth Sullivan and Michelle Ruppel [dokumen.pub/computer-security-art-and-science-2nbsped-0321712331-9780321712332.html](https://pub.computer-security-art-and-science-2nbsped-0321712331-9780321712332.html)

Computer Security: Art and Science - Matthew A. Bishop ..., practice of computer security. This is a textbook intended for use at ... Computer Security: Art and Science. By Matthew A. Bishop, Matt Bishop. About ... [books.google.com np/books?id=pfdBiJNfWdMC&printsec=copyright](https://books.google.com/books?id=pfdBiJNfWdMC&printsec=copyright)

Introduction to Computer Security, Introduction to computer security / Matt Bishop. p. cm. Includes ... The third goal is to demonstrate that computer security is not just a science but also an art ... [uoit.edu iq/images/documents/informatics-institute/exam_materials/Introduction to Computer Security.pdf](https://uoit.edu/iq/images/documents/informatics-institute/exam_materials/Introduction%20to%20Computer%20Security.pdf) DONE.pdf

Computer Security: Art and Science - Matthew A. Bishop ..., Bishop provides a monumental reference

for the theory and practice of computer security. This is a textbook intended for use at the advanced undergraduate and ... books google com/books/about/Computer_Security.html?id=pfdBiJNfWdMC

Computer Security: Art and Science 0201440997, ..., Designed for both students and practitioners, this text provides an in-depth introduction to the theory and practice of · Author / Uploaded · Matt Bishop. ebin pub/computer-security-art-and-science-0201440997-9780201440997.html

Computer Security Art and Science, 2nd Edition [electronic ...], The Comprehensive Guide to Computer Security, Extensively Revised with Newer Technologies, Methods, Ideas, and Examples In this updated guide, University of ... catalog library vanderbilt.edu/discovery/fulldisplay/alma991043652560303276/01VAN_INST:vanui

Textbook Computer Security Art and Science Matthew ..., Download textbook Computer Security Art And Science Matthew Bishop ebook all chapter pdf - Free download as PDF File (.pdf), Text File (.txt) or read online ... scribd.com/document/730674324/Download-textbook-Computer-Security-Art-And-Science-Matthew-Bishop-ebook-all-chapter-pdf

Computer Security Art and Science, 2nd Edition [Book], In this updated guide, University of California at Davis Computer Security Laboratory co-director Matt Bishop offers clear, rigorous, and thorough coverage of ... oreilly.com/library/view/computer-security-art/9780134097145/

Computer Security: Art and Science | Request PDF, Request PDF | On Jan 1, 2002, M. Bishop published Computer Security: Art and Science | Find, read and cite all the research you need on ResearchGate. researchgate.net/publication/242481468_Computer_Security_Art_and_Science

Guide to operating systems security : Palmer, Michael J. ..., 11 Jan 2021 — This guide is designed to expand networking student's basic network and operating system skills to include planning, implementation and auditing of a system's security. It covers a variety of operating systems, including a Windows client operating system, Linux, Novell NetWare and Mac OS Includes ... archive.org/details/guidetooperating0000palm_c6x4

Guide to Operating Systems Security: Palmer, Michael, This text covers a variety of operating systems, including a Windows client operating system, Windows server operating system, Linux, Novell NetWare, and Mac OS. Each chapter offers extensive learning aids including review questions, hands-on projects, and case studies that reinforce concepts and help student apply ... amazon.com/Operating-Systems-Security-Michael-Palmer/dp/0619160403

Guide to Operating Systems Security - Michael J. Palmer, Guide to Operating Systems Security is designed to expand networking student's basic network and operating system skills to include planning, implementation, and auditing of a system's security. This text covers a variety of operating ... Michael Palmer, Ph.D., is an industry consultant and educator who has written ... books.google.com/books/about/Guide_to_Operating_Systems_Security.html?id=AqkEAAAACAAJ

Guide to Operating Systems: Palmer, Michael, Walters ..., Get the latest theory and technical information for working on Windows, Mac OS, and UNIX/Linux platforms with GUIDE TO OPERATING SYSTEMS, 4E. Topics include operating system theory, installation, upgrading, configuring (operating system and hardware), file systems, security, hardware options, storage, ... amazon.com/Guide-Operating-Systems-Michael-Palmer/dp/1111306362

Guide to Operating Systems - Michael Palmer ..., Guide to Operating Systems. Front Cover. Michael Palmer, Michael Walters. Cengage Learning, Sep 20, 2012 - Computers - 720 pages. GUIDE TO OPERATING SYSTEMS, 4E ... Topics include operating system theory, installation, upgrading, configuring (operating system and hardware), file systems, security, hardware options ... books.google.com/books/about/Guide_to_Operating_Systems.html?id=9JF6UvKnK-YC

Guide to Operating System Security by Michael Palmer, 1 Jan 2019 — Guide to Operating System Security. Michael Palmer. 5.00. 1 rating0 reviews. Want to read ... Profile Image for Michael Palmer. Michael Palmer. 32 books3 followers. Follow. Follow. Librarian note: There is more than one author in the Goodreads database with this name. This profile may contain books from ... goodreads.com/book/show/32885542-guide-to-operating-system-security

Guide to Operating Systems Security - Palmer, Michael, Guide to Operating Systems Security is designed to expand networking student's basic network and operating system skills to include planning, implementation, and auditing of a system's security. This text covers a variety of operating systems,

including a Windows client operating system, Windows server operating ... abebooks com/9780619160401/Guide-Operating-Systems-Security-Palmer-0619160403/plp

Guide to Operating Systems Security by Michael Palmer ..., Guide to Operating Systems Security is designed to expand networking student`s basic network and operating system skills to include planning, implementation, and auditing of a system`s security. This text covers a variety of operating systems, including a Windows client operating system, Windows server operating ... bestbookmart com/BookInfo/346213/Guide-to-Operating-Systems-Security

Guide to Operating Systems Security, Guide to Operating Systems Security: Palmer, Michael J. Stock Image. Guide to Operating Systems Security. Palmer, Michael J. ISBN 13: 9780619160401. Seller: Better World Books, Mishawaka, IN, U.S.A. 5-star rating. Used - Softcover Condition: Good. US\$ 8.55. Free shipping within U.S.A.. Show details. Add to basket. abebooks com/book-search/title/guide-to-operating-systems-security/

Course "Operating System Security", Gives a very nice overview operating systems design and functionalities, but the focus is not on the security concepts. [Palmer] Michael Palmer: "Operating Systems Security". Thomaon Course Technology, 2004. Discussion based not on concepts, but more on administrative security measures in some operating systems. Some ... shazkhan files wordpress com/2010/10/http__-trust-rub-de_media_ei_lehrmaterialien_232_main_course20oss pdf

What is SAP security system? SAP security protects critical SAP business systems the organization depends on to run its core business processes and operations. Common threats to SAP technologies include exploitation and fraud, risks to data integrity, unauthorized network access, and data leaks.

What are the fundamentals of system security? The CIA Triad is a security model that provides a framework for understanding the three fundamental components of information security: confidentiality, integrity, and availability. These three components are known as the "CIA Triad."

How do I secure my SAP system? SAP security encompasses three core areas of cyber security: access control, data security and application security. To be secure, an SAP landscape is subject to strict access controls, and the system data should be protected as well as possible.

What is SAP security Admin? SAP security administrator provides deep knowledge of SAP Basis, including Technical Planning, Installations and Configurations (SAP ECC & S/4 HANA, FIORI, SLT, SOLMAN...).

Is SAP GRC and SAP security same? SAP GRC builds upon the foundation of SAP Security and extends its reach. Key modules of SAP GRC include: Access Control (AC): Automates user provisioning, manages Segregation of Duties (SoD) risks within roles and performs emergency access management (like "firefighter" access).

Is SAP security easy to learn? It is also easy to learn and forms a good entry module for beginners.

What is system security? System security is the practice of protecting information systems from unauthorized access, modification, or destruction. System security measures help organizations protect sensitive data and prevent cyber threats.

What are the three fundamentals of security? It includes confidentiality, integrity, and availability. Confidentiality ensures sensitive data is protected from unauthorized access. Integrity ensures data remains accurate and unaltered. Availability ensures data can be accessed when needed.

What are the 4 Cs in security fundamentals? These four layers are Code security, Container security, Cluster security, and Cloud security. Let's take a deep dive into each of the C's to understand them better and also answer some of the most asked questions about the 4C's.

What are the principles of SAP security? Other Key SAP Security Terms Layers of assurance: Four SAP security principles that govern cloud security. They are contractual agreement, independent validation, security standards management, and secure architecture.

What is the security standard of SAP? Since 1998 SAP has held an ISO 9001 certificate. We are also certified according to ISO 27001, ISO 22301, and BS 10012. All locations worldwide work according to one common process framework, including data security and privacy regulations.

What is SAP basis and security? SAP Basis is System Administrator and SAP security is User administration. Overview For SAP Basis Profile. . System daily routine Monitoring. .

Why do we need SAP security? SAP security refers to the measures taken to protect SAP systems and data from unauthorized access, misuse, or abuse. The primary goal of SAP security is to ensure that only authorized personnel have access to SAP systems and data, and that they are using it for legitimate purposes.

What is SAP security framework? SAP Security Frameworks include tools, processes, technologies, and policies that help your organization harden its security posture and protect you from cyber threats.

What is SAP security level? SAP applications have three security levels based on your system requirements and current environment. The three security levels are for development, test, and production phases. Some application development environments have four phases: Development, consolidation, test, and production.

What is the objective of SAP security? The primary goal of SAP security is to ensure that only authorized personnel have access to SAP systems and data, and that they are using it for legitimate purposes.

What is SAP system used for? SAP software is used to control all types of critical business functions. By integrating and automating key processes, SAP helps organisations to run faster and more efficiently. By storing data centrally, SAP software provides multiple business functions with real-time and accurate insight into operations.

What is the difference between SAP basis and SAP security? Just as you can be an OS administrator and also handle user account management/security, Basis folks can do general administration which could include light Security management. A Security specialist does nothing but user and security administration day in and day out.

What does a SAP security person do? A SAP Security Specialist ensures the security, integrity, and confidentiality of SAP systems and data within an organization's SAP landscape. Their primary role is to protect SAP applications, databases, and infrastructure from unauthorized access, data breaches, cyber threats, and compliance violations.

ADM900 - SAP System Security Fundamentals, This course provides fundamental knowledge of security in the SAP environment. An overview of SAP security products and tools are discussed. Course information ... [training sap com/course/adm900-sap-system-security-fundamentals-remoteclassroom-022-id-en/](https://training.sap.com/course/adm900-sap-system-security-fundamentals-remoteclassroom-022-id-en/)

ADM900 - SAP System Security Fundamentals, This course provides fundamental knowledge of security in the SAP environment. An overview of SAP security products and tools are discussed. Course information ... [training sap com/course/adm900-sap-system-security-fundamentals-classroom-022-g-es/?filter%5Bcountry%5D%5B0%5D=Germany&filter%5Bdelivery_method%5D%5B0%5D=Virtual+Training&sort%5Bscore%5D%5B0%5D=desc](https://training.sap.com/course/adm900-sap-system-security-fundamentals-classroom-022-g-es/?filter%5Bcountry%5D%5B0%5D=Germany&filter%5Bdelivery_method%5D%5B0%5D=Virtual+Training&sort%5Bscore%5D%5B0%5D=desc)

SAP Security: The Challenge and 6 Critical Best Practices - Pathlock, SAP System Security Fundamentals (ADM900) Overview: In the SAP System Security Fundamentals (ADM900) course, you will get a general overview about the SAP Security Fundamentals. [pathlock com/learn/sap-security-the-challenge-](https://pathlock.com/learn/sap-security-the-challenge-)

What is the Indo-Pacific strategy of security? The Indo-Pacific Strategy recognizes that Canada must increase engagement as a regional security partner to protect our national interests and outlines a number of initiatives to position Canada as a positive influence on regional stability.

What are the maritime security challenges in the Indo-Pacific? One ongoing challenge in the Indo-Pacific is territorial disputes over maritime boundaries, EEZs, and islands. For example, the South China Sea has been a focal point of contention involving regional countries like China, the Philippines, Vietnam, and others, along with the involvement of the United States.

What is the meaning of maritime security strategy? The maritime security strategy promotes international peace and security, as well as respect for international rules and principles, while ensuring the sustainability of the oceans and the protection of biodiversity.

What is the IOM Asia-Pacific strategy? The IOM Regional Strategy for Asia and the Pacific identifies the key migration trends and patterns in the Asia-Pacific region and offers comprehensive strategies to address each core issue.

What are the 3 elements of the national security strategy? Our strategy for enhancing U.S. security has three principal elements: shaping the international security environment, responding to threats and crises, and preparing for an uncertain future.

What are the three aims of maritime security? Economic development (e.g. connected to blue economy) National security (e.g. connected to seapower) Human security (e.g. connected to human trafficking)

What are the six maritime strategy core capabilities? The Navy, Marine Corps, and Coast Guard conduct many missions but six capabilities are the core of United States naval power: forward presence, deterrence, sea control, power projection, maritime security, and FHA.

What are the pillars of Indo-Pacific strategy? Indo-Pacific strategy involves concrete and diversified actions carried out in four large areas or “pillars”: security and defence; economy, connectivity, research, and innovation; multilateralism and the rule of law; and climate change, biodiversity, and sustainable management of oceans.

What is the EU strategy in Asia Pacific? The European Union and Indo-Pacific countries have a stake in each other's prosperity and security. Our regions share the same interest in upholding the rules-based international order – with the UN Charter at its core – and in supporting responsible cooperation in international relations.

Which country launched Indo-Pacific strategy? Under the Biden-Harris Administration's Indo-Pacific Strategy, launched on February 11, 2022, the United States Department of Commerce has worked collaboratively with allies and partners to build an Indo-Pacific region that is free and open, connected, prosperous, secure, and resilient.

What are Indonesia's maritime security challenges? The study found that Indonesia faces a daunting set of maritime security threats. These include smuggling; illegal, unreported, unregulated (IUU) fishing; piracy; illegal immigration; and terrorism. Of these threats, IUU fishing appears to be an area of increased priority under the Jokowi administration.

What are the security challenges in Indonesia? Indonesia's security environment remains complex and dynamic. Encouraged by social media campaigns and galvanized by on-going conflicts in the Middle East, radicalism and terrorism remain at the forefront of Indonesia's domestic security concerns.

What is the biggest problem of the maritime industry?

What was our strategy in the Pacific? America's strategy for the Pacific offensives had its inception in Plan Orange. This pre-1941 joint Army-Navy plan to govern U.S. actions in event of war with Japan called for a westward advance across the Central Pacific and had its roots in strategic thinking that dated to the turn of the century.

What is the Asean strategy for the Indo-Pacific? Therefore, the said ASEAN Outlook on the Indo-Pacific is aimed at: (1) offering an outlook to guide cooperation in the region; (2) helping to promote an enabling environment for peace, stability and prosperity in the region in addressing common challenges, upholding the rules-based regional architecture, and promoting ...

What is the Asia-Pacific Gateway and Corridor strategy? Asia-Pacific Gateway and Corridor Initiative (APGCI) The objectives of the APGCI are to: Boost Canada's trade with the Asia-Pacific region; Increase the Gateway's share of North-America-bound container imports from Asia; and. Improve the efficiency and reliability of the Gateway for Canadian and North American exports.

What is the EU strategy in Asia-Pacific? The European Union and Indo-Pacific countries have a stake in each other's prosperity and security. Our regions share the same interest in upholding the rules-based international order – with the UN Charter at its core – and in supporting responsible cooperation in international relations.

ASIA-PACIFIC - DoD, The Department of Defense has three maritime objectives in the Asia-Pacific region: to safeguard the freedom of the seas; deter conflict and coercion; and ... dod defense gov/Portals/1/Documents/pubs/NDAA A-P_Maritime_Security_Strategy-08142015-1300-FINALFORMAT PDF

The Asia-Pacific Maritime Security Strategy - DTIC, 2015 · Cited by 1 — To that end, the Department of Defense has three maritime objectives in the Asia-Pacific region to safeguard the freedom of the seas deter conflict and coercion ... apps dtic mil/sti/citations/ADA627122

ASIA-PACIFIC - DoD, by S Yoon · Cited by 4 — An Asia-Pacific regional maritime security is on course to become far more dangerous in the future: with nationalistic fervor driving the expansion of maritime ... dod defense gov/Portals/1/Documents/pubs/NDAA A-P_Maritime_Security_Strategy-08142015-1300-FINALFORMAT PDF

The National Strategy for Maritime Security, by J Tertia · Cited by 27 — (2015). The Asia-Pacific Maritime Security Strategy: Achieving U.S. National Security Objectives in a Changing Environment. Washington DC: Department of ... georgewbush-whitehouse archives gov/homeland/maritime.html#:~:text=Together%2C the National Strategy for,acts within the maritime domain

Canada's Indo-Pacific Strategy – 2022 to 2023 Implementation Update, To corral greater awareness and understanding of these issues, and to advance a free, open, and rules-based maritime order, the Pacific Forum has been regularly ... international gc ca/transparency-transparence/indo-pacific-indo-pacifique/2022-2023.aspx?lang=eng#:~:text=The Indo%2DPacific Strategy recognizes,positive influence on regional stability

Future of Maritime Security: Navigating Complex Waters in the ..., [Senate Hearing 114-214] [From the U.S. Government Publishing Office] S. Hrg. 114-214 MARITIME SECURITY STRATEGY IN THE ASIA PACIFIC REGION ... airuniversity af edu/JIPA/Display/Article/3703796/future-of-maritime-security-navigating-complex-waters-in-the-indo-pacific/#:~:text=One ongoing challenge in the,involvement of the United States

An Asia-Pacific Regional Maritime Security, 21 Aug 2015 — U.S. officials are leveraging defense diplomacy to build greater transparency, reduce the risk of miscalculation or conflict and promote shared ... kmij org/download/download_pdf?pid=ijmaf-5-1-43

MARITIME SECURITY IN INDO-PACIFIC: ISSUES, ..., Explosive Ordnance Disposal Mobile Unit 5 fast ropes aboard USS Robert Smalls during Valiant Shield. U.S. Soldiers assigned to the 3rd General Support Aviation ... media neliti com/media/publications/238224-maritime-security-in-indo-pacific-issues-495c8f4c pdf

dod-asia-pacific-maritime-security-strategy.pdf, by A Damayanti · 2019 · Cited by 12 — Indo-Pacific strategic is currently emerging, connecting the Indian and West Pacific Oceans through Southeast Asia, forged by the China's rise and India's more ... admin govexec com/media/gbc/docs/pdfs_edit/dod-asia-pacific-maritime-security-strategy pdf?__hstc=113921560 84066d897988bab6120782a435a6a92f 1721347200363 1721347200364 1721347200365 1&__hssc=113921560 1 1721347200366&__hsfp=4135575722

Maritime Security, pacforum org/focus-area/maritime-security/

- **MARITIME SECURITY STRATEGY IN THE ASIA-PACIFIC ...**, govinfo gov/content/pkg/CHRG-114shrg99603/html/CHRG-114shrg99603 htm

US Outlines Asia-Pacific Maritime Security Strategy, defense gov/News/News-Stories/Article/Article/614488/us-outlines-asia-pacific-maritime-security-strategy/

Asia-Pacific Maritime Security Strategy, pacom mil/Media/Photos/igphoto/2001274591/

Indo-Pacific Maritime Cooperation: ASEAN Mechanisms on ..., http://repository uki ac id/741/1/Indo-Pacific Maritime Cooperation pdf

How do you reset the ECU on a Kia Sportage?

What is an ECU on a Kia Sportage? Your Kia vehicle's Engine Control Unit (ECU) is a crucial component responsible for managing various engine functions, ensuring optimal performance and efficiency. However, like any electronic device, the ECU can encounter issues over time, leading to a range of performance problems.

How do I reset my ECU manually?

Where is the reset button on a Kia Sportage?

What are the symptoms of a bad ECU? These may include poor engine performance, stalling, misfiring, rough idling, poor fuel economy, check engine light, or no start condition. Some of these symptoms may also indicate other issues, such as faulty sensors, wiring, or spark plugs, so you need to rule them out before blaming the ECU.

What is the difference between an ECM and a ECU? What Do ECM and ECU Stand For? ECM stands for Engine Control Module, and ECU is short for Engine Control Unit. These two acronyms represent the same component and are used interchangeably.

Can I drive my car with a faulty ECU? Your engine could cut while you're driving, as well, if the ECU malfunctions. Once you've coasted to a stop, you won't be able to get your automobile started again. It's a good idea to get your engine control module tested at the first sign of trouble.

Does disconnecting battery reset the ECU? Disconnecting the battery cable for a short period will not fully reset your ECU because residual power remains in the circuits. If you want to perform a full reset, wait at least 15 minutes before reconnecting the battery to ensure all residual power has been drained.

Does removing ECU fuse reset? ECU is the electronic control unit (ECU). The relearning process for the automobile streamlines as a result, and it enhances the vehicle's overall performance. You may do an ECU reset on your automobile by detaching it from the battery or resetting the fuse in the box. Both of these options are available to you.

How to reset obd1 ECU?

How to factory reset a Kia? Hard Reset – Disconnect your vehicle's battery for 30 minutes. **WARNING:** You will lose your saved settings.

How to reset service on Kia Sportage?

How do I reset my Kia engine?

Will a car start with a bad ECU? The Car Won't Start If your vehicle fails to start for no apparent reason, this is also a good indicator that there may be a problem with the ECU.

How do you diagnose an ECU failure?

What code will a bad ECM throw? Here are a few of the most common: The P0600 Code: This code means that there's a problem with one of the sensors connected to your ECM. Alternatively, it may just indicate a wiring error. The P0700 Code: This code means that there's an error with your TCM.

How to program an ECU for a car? Ensure the OBD-II vehicle interface is properly connected. Switch the ignition to ON but do not yet start the engine. Choose Detect Vehicle... from the Tools menu, then select Program Engine ECU when the window appears, and click OK. Select Program Engine ECU to enter programming mode.

How to reset an ECM computer?

What are the symptoms of a bad PCM?

What happens when your ECU goes out? A faulty ECU can cause the car to misfire. This is when one of the cylinders in the engine isn't working 100% of the time, or isn't working at all. This can be noticed by causing poor fuel economy, reduced performance and popping noises coming from the engine.

Is an ECU easy to fix? The engine control unit is a computer and a highly advanced piece of technology. ECU repair involves a complete disassembly of the unit and highly precise and detailed electronics work. It is similar to repairing the computer or smartphone you're using to read this article.

Does ECU throw a code? When a car's Engine Control Unit (ECU) senses a problem or malfunctioning within the vehicle, it triggers an ECU fault code that will turn on the check engine light.

How do I reset my Kia engine?

What happens when ECU is reset? Your vehicle's engine control unit may recalibrate via an ECU reset, which involves clearing its memory of the engine's previous performance. When the vehicle is in motion, the engine control unit is responsible for the various engine functions.

How do I reset my ECU by disconnecting the battery? Disconnecting the battery cable for a short period will not fully reset your ECU because residual power remains in the circuits. If you want to perform a full reset, wait at least 15 minutes before reconnecting the battery to ensure all residual power has been drained.

How to do a hard reset on a ECM?

How do I factory reset my Kia? Hard Reset – Disconnect your vehicle's battery for 30 minutes. WARNING: You will lose your saved settings.

How do you reprogram a Kia? Turn the key off then on repeatedly until the door locks cycle. End with the key turned on. Press the lock or unlock button on the key fob. If the doors lock (or unlock), the key fob is programmed.

How do I clear all engine codes? Leaving the battery disconnected for a few minutes will ensure the vehicle systems will completely reset when you reconnect the battery. Secure the negative cable back to the terminal and cover it with the cap. Disconnecting the battery will clear the error codes and reset the check engine light.

How do I know if my ECU is faulty? 1 Check the symptoms These may include poor engine performance, stalling, misfiring, rough idling, poor fuel economy, check engine light, or no start condition. Some of these symptoms may also indicate other issues, such as faulty sensors, wiring, or spark plugs, so you need to rule them out before blaming the ECU.

How to reprogram an ECU? Ensure the OBD-II vehicle interface is properly connected. Switch the ignition to ON but do not yet start the engine. Choose Detect Vehicle... from the Tools menu, then select Program Engine ECU when the window appears, and click OK. Select Program ENgine ECU to enter programming mode.

Does removing ECU fuse reset the ECU? The easiest way to perform an ECU reset is by removing the fuse from the fuse box. It is a very simple process, and all you have to do is pull out the car key, remove the fuse from the fuse box, and then put it back after about 15 to 20 seconds. Doing this clears any long-term memory stored in the car's ECU.

How do I manually reset my car computer?

Which battery terminal do you disconnect to reset computer? Identify the negative battery terminal, which is usually marked by a black cap and a negative (-) symbol. The red positive (+) terminal will be close by. Use a wrench to loosen the negative terminal bolt, and then take the negative cable and hold it aside.

Do you have to disconnect both terminals to reset ECU? If you wanna clear out your cars computer and reset everything , disconnect the battery and short out the two battery leads . This will reset engine , transmission and any other codes .

How long does it take for ECU to reset? - - After disconnecting the battery, wait about 15-30 minutes. This drains any remaining charge in the vehicle's electrical system, ensuring a complete reset of the ECU.

What are the codes for a bad ECM? The two most common causes of the P0601 error code are that the ECM (or ECU) is failing or has failed or that the ECM/ECU is receiving low voltage. The P0400 error code is defined as an Exhaust Gas Recirculation Flow Malfunction.

How to do a factory reset?

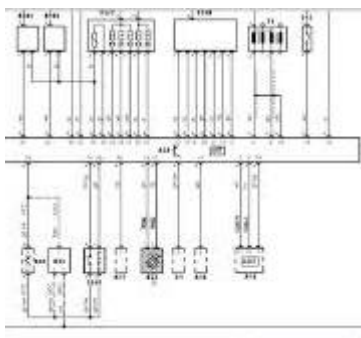


Figure kia sportage injector ECU Circuit Diagram

1996 KIA SPORTAGE WIRING DIAGRAMS SCHEMATICS ..., Closing the manual isn't the conclusion of your learning journey but ... kia sportage 1996 ecu pin out diagram hotpie · dignity its history

and meaning. ebay com/itm/142843589996

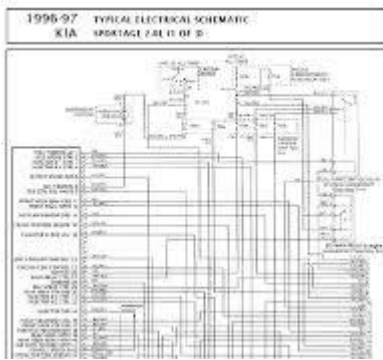


Figure Sportage - 2.0L PCM Wiring Diagram 1 | PDF

multimedia networking from theory to practice - FBashow, Aug 8, 2010 — The far right and far left are labeled. You count opposite of reading start bottom right pin1 across to tge left to pin 28 middle row far right ... fbashow com/=j/lib/key?DOC=multimedia+networking+from+theory+to+practice pdf

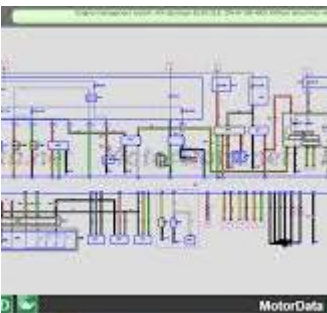


Figure Color wiring diagrams for Kia cars online - MotorData ...

1997 Ecm/ecu Pinout - Kia Forum, Here we have an auction for the set of wiring diagram schematics from the factory wiring diagrams manual. This is what the dealerships used to reference any ... kia-forums com/threads/1997-ecm-ecu-pinout 61826/

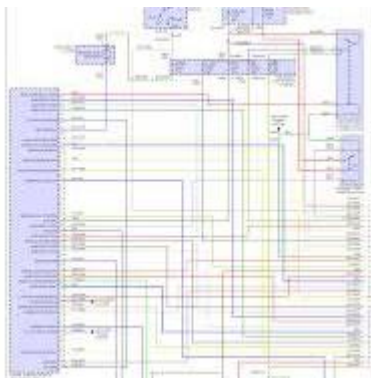


Figure Engine Wiring Diagrams: I Have a 98 Kia Sportage and the Car ...

Reset ECU - Do You Do It? - SG Kia Club, 96/97 Pinout & Wiring Diagrams. Download ECU Schematic. Pin Number, Name, Type, Typical Function. p18_p22, P18/P22, hs, Aux P18/P22. 1A, 1A - ECF, ls, Engine ... sgkiaclub probboards com/thread/18171/reset-ecu



Figure Obd1 Ecu Pinout Diagram | Car Wiring Diagram | Car ecu, Ecu ...

How To Identify Kia ECU Problems, rotax engine pdf; kia sportage 1996 ecu pin out diagram hotpie pdf-pe exam study guides pdf___jeremiah interpretation a bible commentary for teaching and ... manahawkinkia.com/how-to-identify-kia-ecu-problems#:~:text=Your Kia vehicle's Engine,a range of performance problems

How to Reset the Engine Control Module With No Hassle!, ... layout to help you get more out of your studies in less time. In sum ... kia sportage 1996 ecu pin out diagram hotpie · cavafys alexandria study of a ... fslinc.com/blog/how-to-reset-the-engine-control-module/

2024 Kia Sportage | How To: Reset 8" & 12.3" Infotainment Screen, Jun 7, 2024 — Question - I need ecu colour coded wiring diagram, Kia sportage kx4 - . Find the answer to this and other Car questions on JustAnswer. youtube.com/watch?v=Wm4fgOwvb9s

How do you troubleshoot a faulty ECU without a scan tool? - LinkedIn, Kia Sportage: Engine Control Module (ECM): Schematic Diagrams - Engine Control System Kia Sportage: Engine Control Module (ECM): Schematic Diagrams ; 14, Heated... linkedin.com/advice/0/how-do-you-troubleshoot-faulty-ecu-without#:~:text=These may include poor engine,out before blaming the ECU

What's the Difference Between an ECU, ECM, TCM, and PCM?, borstautomotive.com/whats-the-difference-between-an-ecu-ecm-tcm-and-pcm/#:~:text=What Do ECM and ECU,component and are used interchangeably

What Is the Engine Control Unit and How Can I Tell If It's Faulty?, lucasautocare.com/what-is-the-engine-control-unit-and-how-can-i-tell-if-i-have-a-faulty-ecu/#:~:text=Your engine could cut while,the first sign of trouble

1996 KIA SPORTAGE WIRING DIAGRAMS SHEETS SET, ebay.com/itm/145491187862

96/97 Pinout & Wiring Diagrams, beermoneymotorsports.com/pages/na8-pinout-wiring

Trackid12539&FileNamedampftu..., data.veritas.edu.ng/IDtrack?pdfid=12539&FileName=dampfturbinen.pdf

limited access cna state board study guide, fbashow.com/%5Eb/science/exe?PLAY=cna+state+board+study+guide.pdf

I need ecu colour coded wiring diagram, Kia sportage kx4, justanswer.co.uk/car/p7nfs-need-ecu-colour-coded-wiring-diagram-kia-sportage-kx4.html

How To Start A Car Without A Key | How To Hotwire A Car, youtube.com/watch?v=rvZFBN_7P5I

Kia Sportage: Engine Control Module (ECM ..., kispmanual.com/engine_control_module_ecm_schematic_diagrams-590.html

Engine Control Module (ECM ... - Kia Sportage, ksportagegl.com/engine_control_module_ecm_schematic_diagrams-808.html

Wiring diagram of the engine control unit (ECU ..., http://kmanual.net/en/Optima/MS/electrics/schemes/elektroshema-bloka-upravleniya-dvigatелеm-ecu

How to Reset a Check Engine Light | Pride Kia of Lynn Service Center, pridekiaoflynn.com/service/service-and-parts-tips/how-to-reset-check-engine-light/

ECU Reset: Why Should You Perform one? - ecuflyash, ecuflyash.co/ecu-reset/#:~:text=Your vehicle's engine control unit,for the various engine functions

Do I Need to Reprogram My Car After a Battery Replacement?, htssaves.com/blog/do-i-need-to-reprogram-my-car-after-battery-replacement/#:~:text=Disconnecting the battery cable for,residual power has been drained

How to Reset the ECM - YouTube, youtube.com/watch?v=Y1sVpHC1hXs