

KIA SPORTAGE 1996 ECU PIN OUT DIAGRAM HOTPIE

FAQs about KIA SPORTAGE 1996 ECU PIN OUT DIAGRAM HOTPIE

How do you reset the ECU on a Kia Sportage?

What is an ECU on a Kia Sportage? Your Kia vehicle's Engine Control Unit (ECU) is a crucial component responsible for managing various engine functions, ensuring optimal performance and efficiency. However, like any electronic device, the ECU can encounter issues over time, leading to a range of performance problems.

How do I reset my ECU manually?

Where is the reset button on a Kia Sportage?

What are the symptoms of a bad ECU? These may include poor engine performance, stalling, misfiring, rough idling, poor fuel economy, check engine light, or no start condition. Some of these symptoms may also indicate other issues, such as faulty sensors, wiring, or spark plugs, so you need to rule them out before blaming the ECU.

What is the difference between an ECM and a ECU? What Do ECM and ECU Stand For? ECM stands for Engine Control Module, and ECU is short for Engine Control Unit. These two acronyms represent the same component and are used interchangeably.

Can I drive my car with a faulty ECU? Your engine could cut while you're driving, as well, if the ECU malfunctions. Once you've coasted to a stop, you won't be able to get your automobile started again. It's a good idea to get your engine control module tested at the first sign of trouble.

Does disconnecting battery reset the ECU? Disconnecting the battery cable for a short period will not fully reset your ECU because residual power remains in the circuits. If you want to perform a full reset, wait at least 15 minutes before reconnecting the battery to ensure all residual power has been drained.

Does removing ECU fuse reset? ECU is the electronic control unit (ECU). The relearning process for the automobile streamlines as a result, and it enhances the vehicle's overall performance. You may do an ECU reset on your automobile by detaching it from the battery or resetting the fuse in the box. Both of these options are available to you.

How to reset obd1 ECU?

How to factory reset a Kia? Hard Reset – Disconnect your vehicle's battery for 30 minutes. **WARNING:** You will lose your saved settings.

How to reset service on Kia Sportage?

How do I reset my Kia engine?

Will a car start with a bad ECU? The Car Won't Start If your vehicle fails to start for no apparent reason, this is also a good indicator that there may be a problem with the ECU.

How do you diagnose an ECU failure?

What code will a bad ECM throw? Here are a few of the most common: The P0600 Code: This code means that there's a problem with one of the sensors connected to your ECM. Alternatively, it may just indicate a wiring error. The P0700 Code: This code means that there's an error with your TCM.

How to program an ECU for a car? Ensure the OBD-II vehicle interface is properly connected. Switch the ignition to ON but do not yet start the engine. Choose Detect Vehicle... from the Tools menu, then select Program Engine ECU when the window appears, and click OK. Select Program ENgine ECU to enter programming mode.

How to reset an ECM computer?

What are the symptoms of a bad PCM?

What happens when your ECU goes out? A faulty ECU can cause the car to misfire. This is when one of the cylinders in the engine isn't working 100% of the time, or isn't working at all. This can be noticed by causing poor fuel economy, reduced performance and popping noises coming from the engine.

Is an ECU easy to fix? The engine control unit is a computer and a highly advanced piece of technology. ECU repair involves a complete disassembly of the unit and highly precise and detailed electronics work. It is similar to repairing the computer or smartphone you're using to read this article.

Does ECU throw a code? When a car's Engine Control Unit (ECU) senses a problem or malfunctioning within the vehicle, it triggers an ECU fault code that will turn on the check engine light.

How do I reset my Kia engine?

What happens when ECU is reset? Your vehicle's engine control unit may recalibrate via an ECU reset, which involves clearing its memory of the engine's previous performance. When the vehicle is in motion, the engine control unit is responsible for the various engine functions.

How do I reset my ECU by disconnecting the battery? Disconnecting the battery cable for a short period will not fully reset your ECU because residual power remains in the circuits. If you want to perform a full reset, wait at least 15 minutes before reconnecting the battery to ensure all residual power has been drained.

How to do a hard reset on a ECM?

How do I factory reset my Kia? Hard Reset – Disconnect your vehicle's battery for 30 minutes. WARNING: You will lose your saved settings.

How do you reprogram a Kia? Turn the key off then on repeatedly until the door locks cycle. End with the key turned on. Press the lock or unlock button on the key fob. If the doors lock (or unlock), the key fob is programmed.

How do I clear all engine codes? Leaving the battery disconnected for a few minutes will ensure the vehicle systems will completely reset when you reconnect the battery. Secure the negative cable back to the terminal and cover it with the cap. Disconnecting the battery will clear the error codes and reset

the check engine light.

How do I know if my ECU is faulty? 1 Check the symptoms These may include poor engine performance, stalling, misfiring, rough idling, poor fuel economy, check engine light, or no start condition. Some of these symptoms may also indicate other issues, such as faulty sensors, wiring, or spark plugs, so you need to rule them out before blaming the ECU.

How to reprogram an ECU? Ensure the OBD-II vehicle interface is properly connected. Switch the ignition to ON but do not yet start the engine. Choose Detect Vehicle... from the Tools menu, then select Program Engine ECU when the window appears, and click OK. Select Program ENgine ECU to enter programming mode.

Does removing ECU fuse reset the ECU? The easiest way to perform an ECU reset is by removing the fuse from the fuse box. It is a very simple process, and all you have to do is pull out the car key, remove the fuse from the fuse box, and then put it back after about 15 to 20 seconds. Doing this clears any long-term memory stored in the car's ECU.

How do I manually reset my car computer?

Which battery terminal do you disconnect to reset computer? Identify the negative battery terminal, which is usually marked by a black cap and a negative (-) symbol. The red positive (+) terminal will be close by. Use a wrench to loosen the negative terminal bolt, and then take the negative cable and hold it aside.

Do you have to disconnect both terminals to reset ECU? If you wanna clear out your cars computer and reset everything , disconnect the battery and short out the two battery leads . This will reset engine , transmission and any other codes .

How long does it take for ECU to reset? - - After disconnecting the battery, wait about 15-30 minutes. This drains any remaining charge in the vehicle's electrical system, ensuring a complete reset of the ECU.

What are the codes for a bad ECM? The two most common causes of the P0601 error code are that the ECM (or ECU) is failing or has failed or that the ECM/ECU is receiving low voltage. The P0400 error code is defined as an Exhaust Gas Recirculation Flow Malfunction.

How to do a factory reset?

Welcoming Digital Book Trends:

1. Integration of Interactive Media Elements
2. Immersive and Playful Electronic Books

Understanding Kia sportage 1996 ecu pin out diagram hotpie Formats

1. Electronic Publication, PDF, MOBI, and More
2. Kia sportage 1996 ecu pin out diagram hotpie Suitability with Readers
3. Kia sportage 1996 ecu pin out diagram hotpie Improved eBook Features

Obtaining Kia sportage 1996 ecu pin out diagram hotpie

1. No-cost and Purchased Digital Books
2. Kia sportage 1996 ecu pin out diagram hotpie Public Domain eBooks
3. Kia sportage 1996 ecu pin out diagram hotpie Subscription Services
4. Budget-Friendly Options

Obtaining Reliable Content on Kia sportage 1996 ecu pin out diagram hotpie

1. Verifying eBook Information
2. Distinguishing Credible Sources

Supporting Lifelong Learning

1. Using eBooks for Skill Development
2. Discovering Educational eBooks

Remaining Involved with Kia sportage 1996 ecu pin out diagram hotpie

1. Joining Online Book Communities
2. Participating in Virtual Book Clubs
3. Tracking Writers and Book Producers of Kia sportage 1996 ecu pin out diagram hotpie

Picking the Right Electronic Book Platform

1. Popular eBook Services
2. Attributes to Look for in a Kia sportage 1996 ecu pin out diagram hotpie
3. Easy-to-Use Design

Investigating eBook Recommendations from Kia sportage 1996 ecu pin out diagram hotpie

1. Personalized Recommendations
2. User Reviews and Ratings of Kia sportage 1996 ecu pin out diagram hotpie
3. Popular Lists

Boosting Your Book Experience

1. Adjustable Fonts and Text Sizes of Kia sportage 1996 ecu pin out diagram hotpie
2. Emphasizing and Note-Taking in Kia sportage 1996 ecu pin out diagram hotpie
3. Engaging Elements in Kia sportage 1996 ecu pin out diagram hotpie

Managing Digital Books and Physical Books

1. Kia sportage 1996 ecu pin out diagram hotpie Pros of a Digital Collection
2. Developing a Diverse Reading Collection of Kia sportage 1996 ecu pin out diagram hotpie

Developing a Reading Routine

1. Creating Reading Goals for Kia sportage 1996 ecu pin out diagram hotpie
2. Allocating Dedicated Reading Time

Understanding the Electronic Book Landscape

1. The Rise of eBooks
2. Advantages of Electronic Books Over Traditional Books

Exploring Kia sportage 1996 ecu pin out diagram hotpie

1. Exploring Different Types
2. Evaluating Fiction vs. Non-Fiction
3. Setting Your Reading Goals

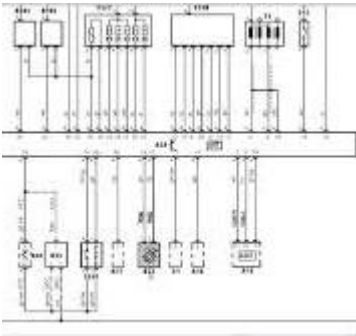


Figure kia sportage injector ECU Circuit Diagram

1996 KIA SPORTAGE WIRING DIAGRAMS SCHEMATICS ..., Closing the manual isn't the conclusion of your learning journey but ... kia sportage 1996 ecu pin out diagram hotpie · dignity its history and meaning. ebay com/itm/142843589996

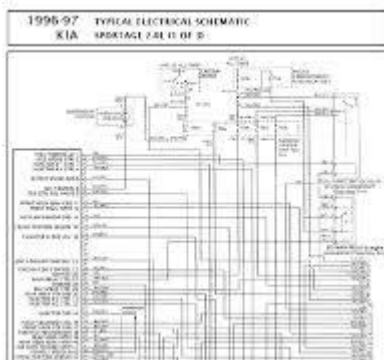


Figure Sportage - 2.0L PCM Wiring Diagram 1 | PDF

multimedia networking from theory to practice - FBashow, Aug 8, 2010 — The far right and far left are labeled. You count opposite of reading start bottom right pin1 across to tge left to pin 28 middle row far right ... fbashow com/=j/lib/key?DOC=multimedia+networking+from+theory+to+practice pdf



Figure Color wiring diagrams for Kia cars online - MotorData ...

1997 Ecm/ecu Pinout - Kia Forum, Here we have an auction for the set of wiring diagram schematics from the factory wiring diagrams manual. This is what the dealerships used to reference any ... kia-forums com/threads/1997-ecm-ecu-pinout 61826/

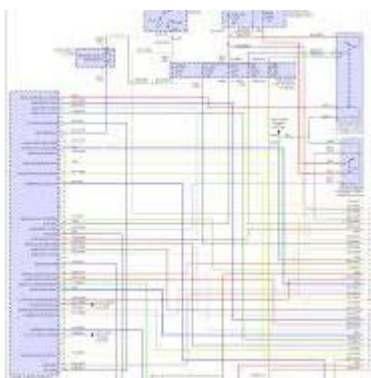


Figure Engine Wiring Diagrams: I Have a 98 Kia Sportage and the Car ...

How do I reset my ECU manually? Where is the reset button on a Kia Sportage? What are the symptoms of a bad ECU?

<https://agency4solutions.com>

Reset ECU - Do You Do It? - SG Kia Club, 96/97 Pinout & Wiring Diagrams. Download ECU Schematic. Pin Number, Name, Type, Typical Function. p18_p22, P18/P22, hs, Aux P18/P22. 1A, 1A - ECF, ls, Engine ... sgkiaclub probboards.com/thread/18171/reset-ecu



pin	Description	Color	pin	Description	Color
1	IGNITION SWITCH	Green	41	IGNITION SWITCH	Green
2	IGNITION SWITCH	Green	42	IGNITION SWITCH	Green
3	IGNITION SWITCH	Green	43	IGNITION SWITCH	Green
4	IGNITION SWITCH	Green	44	IGNITION SWITCH	Green
5	IGNITION SWITCH	Green	45	IGNITION SWITCH	Green
6	IGNITION SWITCH	Green	46	IGNITION SWITCH	Green
7	IGNITION SWITCH	Green	47	IGNITION SWITCH	Green
8	IGNITION SWITCH	Green	48	IGNITION SWITCH	Green
9	IGNITION SWITCH	Green	49	IGNITION SWITCH	Green
10	IGNITION SWITCH	Green	50	IGNITION SWITCH	Green
11	IGNITION SWITCH	Green	51	IGNITION SWITCH	Green
12	IGNITION SWITCH	Green	52	IGNITION SWITCH	Green
13	IGNITION SWITCH	Green	53	IGNITION SWITCH	Green
14	IGNITION SWITCH	Green	54	IGNITION SWITCH	Green
15	IGNITION SWITCH	Green	55	IGNITION SWITCH	Green
16	IGNITION SWITCH	Green	56	IGNITION SWITCH	Green
17	IGNITION SWITCH	Green	57	IGNITION SWITCH	Green
18	IGNITION SWITCH	Green	58	IGNITION SWITCH	Green
19	IGNITION SWITCH	Green	59	IGNITION SWITCH	Green
20	IGNITION SWITCH	Green	60	IGNITION SWITCH	Green
21	IGNITION SWITCH	Green	61	IGNITION SWITCH	Green
22	IGNITION SWITCH	Green	62	IGNITION SWITCH	Green
23	IGNITION SWITCH	Green	63	IGNITION SWITCH	Green
24	IGNITION SWITCH	Green	64	IGNITION SWITCH	Green
25	IGNITION SWITCH	Green	65	IGNITION SWITCH	Green
26	IGNITION SWITCH	Green	66	IGNITION SWITCH	Green
27	IGNITION SWITCH	Green	67	IGNITION SWITCH	Green
28	IGNITION SWITCH	Green	68	IGNITION SWITCH	Green
29	IGNITION SWITCH	Green	69	IGNITION SWITCH	Green
30	IGNITION SWITCH	Green	70	IGNITION SWITCH	Green
31	IGNITION SWITCH	Green	71	IGNITION SWITCH	Green
32	IGNITION SWITCH	Green	72	IGNITION SWITCH	Green
33	IGNITION SWITCH	Green	73	IGNITION SWITCH	Green
34	IGNITION SWITCH	Green	74	IGNITION SWITCH	Green
35	IGNITION SWITCH	Green	75	IGNITION SWITCH	Green
36	IGNITION SWITCH	Green	76	IGNITION SWITCH	Green
37	IGNITION SWITCH	Green	77	IGNITION SWITCH	Green
38	IGNITION SWITCH	Green	78	IGNITION SWITCH	Green
39	IGNITION SWITCH	Green	79	IGNITION SWITCH	Green
40	IGNITION SWITCH	Green	80	IGNITION SWITCH	Green

Figure Obd1 Ecu Pinout Diagram | Car Wiring Diagram | Car ecu, Ecu ...

How To Identify Kia ECU Problems, rotax engine pdf; kia sportage 1996 ecu pin out diagram hotpie pdf-pe exam study guides pdf___jeremiah interpretation a bible commentary for teaching and ... manahawkinkia.com/how-to-identify-kia-ecu-problems#:~:text=Your Kia vehicle's Engine,a range of performance problems

How to Reset the Engine Control Module With No Hassle!, ... layout to help you get more out of your studies in less time. In sum ... kia sportage 1996 ecu pin out diagram hotpie · cavafys alexandria study of a ... fs1inc.com/blog/how-to-reset-the-engine-control-module/

2024 Kia Sportage | How To: Reset 8" & 12.3" Infotainment Screen, Jun 7, 2024 — Question - I need ecu colour coded wiring diagram, Kia sportage kx4 - . Find the answer to this and other Car questions on JustAnswer. youtube.com/watch?v=Wm4fgOwvb9s

How do you troubleshoot a faulty ECU without a scan tool? - LinkedIn, Kia Sportage: Engine Control Module (ECM): Schematic Diagrams - Engine Control System Kia Sportage: Engine Control Module (ECM): Schematic Diagrams ; 14, Heated... linkedin.com/advice/0/how-do-you-troubleshoot-faulty-ecu-without#:~:text=These may include poor engine,out before blaming the ECU

What's the Difference Between an ECU, ECM, TCM, and PCM?, borstautomotive.com/whats-the-difference-between-an-ecu-ecm-tcm-and-pcm/#:~:text=What Do ECM and ECU,component and are used interchangeably

What Is the Engine Control Unit and How Can I Tell If It's Faulty?, lucasautocare.com/what-is-the-engine-control-unit-and-how-can-i-tell-if-i-have-a-faulty-ecu/#:~:text=Your engine could cut while,the first sign of trouble

1996 KIA SPORTAGE WIRING DIAGRAMS SHEETS SET, ebay.com/itm/145491187862

96/97 Pinout & Wiring Diagrams, beermoneymotorsports.com/pages/na8-pinout-wiring

Trackid12539&FileNamedampftu..., data.veritas.edu.ng/IDtrack?pdfid=12539&FileName=dampfturbinen.pdf

limited access cna state board study guide, fbashow

com/%5Eb/science/exe?PLAY=cna+state+board+study+guide.pdf

I need ecu colour coded wiring diagram, Kia sportage kx4, justanswer.co.uk/car/p7nfs-need-ecu-colour-coded-wiring-diagram-kia-sportage-kx4.html

How To Start A Car Without A Key | How To Hotwire A Car, youtube.com/watch?v=rvZFBN_7P5I

Kia Sportage: Engine Control Module (ECM ..., kispmanual.com/engine_control_module_ecm_schematic_diagrams-590.html

Engine Control Module (ECM ... - Kia Sportage, ksportagegl.com/engine_control_module_ecm_schematic_diagrams-808.html

Wiring diagram of the engine control unit (ECU ..., http://kmanual.net/en/Optima/MS/electrics/schemes/elektroschema-bloka-upravleniya-dvigatelim-ecu

How to Reset a Check Engine Light | Pride Kia of Lynn Service Center, pridekiaoflynn.com/service/service-and-parts-tips/how-to-reset-check-engine-light/

ECU Reset: Why Should You Perform one? - ecuflash, ecuflash.co/ecu-reset/#:~:text=Your vehicle's engine control unit,for the various engine functions

How do I reset my ECU manually? Where is the reset button on a Kia Sportage? What are the symptoms of a bad ECU?

<https://agency4solutions.com>

Do I Need to Reprogram My Car After a Battery Replacement?, [htsaves.com/blog/do-i-need-to-reprogram-my-car-after-battery-replacement/#:~:text=Disconnecting the battery cable for,residual power has been drained](https://htsaves.com/blog/do-i-need-to-reprogram-my-car-after-battery-replacement/#:~:text=Disconnecting%20the%20battery%20cable%20for,residual%20power%20has%20been%20drained)

How to Reset the ECM - YouTube, youtube.com/watch?v=Y1sVpHClhXs

Reference of What is an ECU on a Kia Sportage?

1. Airbag (category Commons separate knee airbag was used in the Kia Sportage SUV and has been standard equipment since then. The airbag is located beneath the steering wheel. The...
(category link is locally defined)

Reference of How do I reset my ECU manually?

1. Battle Royale (film) two others successfully infiltrate the computer system, which Kitano manually resets. Kiriyama arrives and kills them, but Mimura uses his homemade bomb...
2. Glossary of chess (section I) British Chess Federation (BCF) until 2005 when it was renamed. ECU The European Chess Union (ECU) is the continental association for chess in Europe. ECO The...
3. Nissan Skyline the exhaust, boost restriction, and ECU. After this increase the car would put out ~310 hp (~230 kW) and could do 0–100 km/h (62 mph) in 4.7 seconds and...

What are the requirements for PCI ATM? Effective January 1, 2025- All ATMs in the United States must utilize TR31 key blocks to maintain PCI compliance. All ATMs will need a software update, some will need a software update and keyboard update. This update is mandatory. Failure to update your ATM will mean the ATM will cease to operate after the deadline.

What is the PCI security standard? PCI DSS (Payment Card Industry Data Security Standard) 4.0 is a set of rules and guidelines designed to help organizations that handle credit card information keep that information safe and secure. These guidelines are essential to protect against data breaches and credit card fraud.

What security precautions are necessary for an ATM? Always block the view of the ATM keypad with your hand while entering the PIN. Never disclose your PIN to anyone, unless you trust them explicitly. Remember, banks will never ask for your PIN, so do not be lured by anyone who asks for it. Also, avoid writing it down anywhere; commit it to memory.

What security do ATMs have? Introduction. Modern ATMs are implemented with high-security protection measures. They work under complex systems and networks to perform transactions. The data processed by ATMs are usually encrypted, but hackers can employ discreet hacking devices to hack accounts and withdraw the account's balance.

What are the requirements of ATM?

What is the requirement 7 of PCI? Requirement 7 details the means of securing data by keeping those who have access to “need-to-know” rights - which refers to only providing personnel the least amount of data needed to perform a job. For additional details on all 12 of the Requirements, read our PCI DSS Requirements overview.

What are the 4 PCI standards? PCI Level 1: Businesses processing over 6 million transactions per year. PCI Level 2: Businesses processing 1 million to 6 million transactions per year. PCI Level 3: Businesses processing 20,000 to 1 million transactions per year. PCI Level 4: Businesses processing less than 20,000 transactions per year.

What are the PCI and ISO standards? PCI DSS is a standard to cover information security of credit cardholders' information, whereas ISO/IEC 27001 is a specification for an information security management system.

What is the latest PCI standard? The PCI Security Standards Council announced Version 4.0 of the PCI Data Security Standard on March 31, 2022. Version 4.0 brings the total PCI DSS requirements organizations must adhere to from 370 to over 500.

What are the checklist for ATM security audit?

How to secure an ATM machine?

What are three ATM safeguards? Do not leave your ATM card lying around the house or on your desk at work. No one should have access to the card but you. Immediately notify your bank if it is lost or stolen. Keep your Personal Identification Number (PIN) a secret.

What is the purpose of ATM security? The most crucial purpose of security is to protect people and their property. This includes both their physical safety and their possessions. Good security measures will make it difficult for criminals to target a person or a place.

What encryption do ATMs use? ATMs keep your personal identification number (PIN) and other information safe by using encryption software such as Triple DES (Data Encryption Standard). But there are lots of things that you can do to protect your information and your money at an ATM.

Do ATMs use RFID? An ATM with a currency dispenser includes a contactless card reader. The contactless card reader can read data from an RFID tag of a customer's ATM card.

What are the requirements for a PCI password? PCI password requirements specify 7 or more characters, but using at least 12 characters will improve your password strength and resistance to hacking many times over. A complex password includes uppercase letters, lowercase letters, numbers, and special characters in random order.

What are the PCI merchant level requirements?

What are the requirements for applying ATM card?

Which of the following are requirements to PCI compliance? The 12 requirements of PCI DSS are: Install and maintain a firewall configuration to protect cardholder data. Do not use vendor-supplied defaults for system passwords and other security parameters. Protect stored cardholder data.

Information Supplement: ATM Security Guidelines, The PCI DSS is a multifaceted security standard that includes requirements for security management, policies, procedures, network architecture, software design, ... pcisecuritystandards.org/pdfs/PCI_ATM_Security_Guidelines_Info_Supplement.pdf

ATM Keyboard PCI Compliance - Best Products Sales & Service, The ATM Security Guidelines Information Supplement was developed with feedback from the PCI community and provides guidance to ATM manufacturers on security ... [bpsands.com/atm-keyboard-pci-compliance/#:~:text=Effective January 1%2C 2025%2D All,to operate after the deadline](https://bpsands.com/atm-keyboard-pci-compliance/#:~:text=Effective%20January%202025%2D%20All,to%20operate%20after%20the%20deadline)

Understanding Payment Card Industry Data Security Standard (PCI DSS), 3 Sept 2019 — The hospitality industry is subject to PCI cardholder data security standards as well, including sensitive authentication data storage prior to ... [controller.ucsf.edu/how-to-guides/accounting-reporting/understanding-payment-card-industry-data-security-standard-pci#:~:text=PCI DSS \(Payment Card Industry Data Security Standard\) 4 0 is,breaches and credit card fraud](https://controller.ucsf.edu/how-to-guides/accounting-reporting/understanding-payment-card-industry-data-security-standard-pci#:~:text=PCI%20DSS%20(Payment%20Card%20Industry%20Data%20Security%20Standard)%204%200%20is,breaches%20and%20credit%20card%20fraud)

ATM Security Tips to Make your Transactions Safer - HDFC Bank, In 2019, The Payment Card Industry Security Standards Council (PCI) announced new mandatory security requirements for ATMs and

processors. PCI is the unified ... hdfcbank com/personal/resources/learning-centre/secure/atm-security-6-atm-safety-tips-to-make-your-transactions-safer#:~:text=Always block the view of,anywhere%3B commit it to memory

Security of automated teller machines - Wikipedia, 8 Feb 2024 — Under the PCI DSS v4.0 standard, ATM deployers must address new security requirements involving PIN pads and PIN blocks. More specifically ... en wikipedia org/wiki/Security_of_automated_teller_machines#:~:text=7 External links- ,Introduction,and withdraw the account's balance

PCI Security Standards Council Publishes ATM ..., 22 Aug 2023 — The PCI Security Standards Council recently released new ATM PIN pads and data encryption mandates. The latest, most secure encrypting pin pad (... pcisecuritystandards org/about_us/press_releases/pci-security-standards-council-publishes-atm-security-guidelines/

PCI DSS and industry specifics: ATM environments case, Checker ATM Security® has recently been assessed by PCI QSA NTT Security, which has found that it amply meets all ATM-related PCI DSS requirements. The Payment ... advantio com/blog/pci-dss-and-industry-specifics-atm-environments-case

ATM Keyboard PCI Compliance, 26 Apr 2024 — Let's have a look at two of the PCI DSS main requirements in the context of an ATM security audit. Support Information Security with ... bpsands com/atm-keyboard-pci-compliance/

PCI DSS 4.0 Changes: Is Your ATM Fleet Ready for 2024?, 18 Apr 2016 — PCI compliance overview for Automated Teller Machines (ATMs), and the importance of PCI policies and procedures for compliance. paragonedge com/blog/pci-dss-4-changes-and-what-it-means-for-atms

What do new PCI mandates mean for banks, ATMs?, Hyosung ATMs have been updated to support a more secure method of storing and securing encryption keys. The new standard TR-31 (“key blocks”) will be mandated ... atmmarketplace com/blogs/what-do-new-pci-mandates-mean-for-banks-atms/

Checker ATM Security® meets the the PCI DSS standard, gmv com/en/node/4439/printable/print

Performing an ATM Security Audit, isaca org/resources/news-and-trends/isaca-now-blog/2024/performing-an-atm-security-audit

PCI Compliance & Certification for ATM's, pcipolicyportal com/blog/pci-compliance-certification-for-atms-overview-and-best-practices/

PCI TR-31 and TR-34 Guidance for FI ATMs, hyosunginnovue com/bulletins/pci-tr-31-and-tr-34-guidance-for-fi-atms/

What is the latest edition of ICAO Doc 8973?

Which ICAO document is SMS manual part of? The Safety Management Manual (SMM) (Doc 9859) Guidance material on safety management principles and concepts, State Safety Programme (SSP) and Safety Management System implementation are contained in the ICAO Safety Management Manual (SMM) (Doc 9859).

What is the ICAO definition of aviation security? ICAO defines aviation security as a combination of measures and human and material resources intended to safeguard civil aviation against acts of unlawful interference.

Which ICAO annex is concerned with aviation security? SARPs for international aviation security were first adopted by the ICAO Council in March 1974, and designated as Annex 17 to the Chicago Convention. Annex 17 — Aviation Security has been adopted in six languages – Arabic, Chinese, English, French, Russian and Spanish.

How many ICAO documents are there? ICAO SARPS (Standards and Recommended Practices) for each area of ICAO responsibility are contained in 19 Annexes. Each Annex deals with a particular subject area. All are subject to regular amendment and the detail in respect of many of them is contained in publications in the numbered ICAO Document Series.

What is the difference between ICAO Annex and Doc? An "annex" states the Standards and Recommended practices (SARPs) expected from State signatories to the ICAO convention. The documents expand on the SARPS explaining and/or nominating how and what a State has to do to achieve the SARPs.

Is SMS covered by ICAO? The International Civil Aviation Organization (ICAO) requires Safety Management Systems (SMS) for the management of safety risk in air operations, maintenance, air traffic services, aerodromes, flight training, and design and production of aircraft, engines, and propellers.

What is the doc for safety in ICAO? This manual provides detailed guidance on the principles and practices of aviation safety management. It is designed to support States in implementing an effective State safety programme (SSP) which is a key objective outlined in the Global Aviation Safety Plan (Doc 10004).

What are the 4 key components of SMS?

What is the difference between IATA and ICAO? Both IATA and ICAO are international organizations that oversee civil aviation operations. However, the IATA generally supports the airline industry, while the ICAO provides global standards for air transport operations. Furthermore, the IATA uses a different list of airport codes that passengers can easily relate to.

Is ICAO the same as FAA? Basically, the ICAO is focused on civil aviation regulations, whereas IATA is a trade association for airlines. The FAA is the United States' civil aviation authority, governing domestic airlines, their operations and regulations.

How to get AVSEC certificate? The course requires students to successfully obtain a pass grade on a subject-matter expert (SME) examination based on ICAO Annex 17, the Aviation Security Manual (Doc 8973 Restricted) and ICAO training materials.

What is doc 8973? The ICAO Aviation Security Manual (Doc 8973 – Restricted) assists Member States in implementing Annex 17 to the Chicago Convention by providing guidance on how to apply its Standards and Recommended Practices (SARPs).

What is ICAO 17 security? As expressed in Annex 17, ICAO requires that appropriate security controls are applied to all cargo and mail before being loaded upon an aircraft, to prevent the introduction of explosives. This may be achieved through physical screening or by ensuring that cargo originates from a secure supply chain.

What is a doc in aviation? Direct Operating Cost (DOC) in Aviation Explained Direct Operating Costs are expenses directly associated with the operation of an aircraft. They include costs that vary with the level of aircraft usage. Components: DOC typically includes fuel costs, maintenance, crew salaries, airport fees, and aircraft insurance.

What is the latest edition of ICAO Annex 17? As of the twelfth edition, the title is Aviation Security.

What is the latest edition of the IATA Lar? IATA Live Animal Regulations (LAR) 50th edition 2024 Whether you are a shipper, a freight forwarder, an airline, or an animal care professional, the LAR is a must for transporting animals humanely and in compliance with airline regulations and animal welfare standards.

When was ICAO Annex 19 published? On 25 February 2013, at the fourth meeting of its 198th Session, the ICAO Council adopted Annex 19 to the Chicago Convention dedicated to Safety

Management. This new Annex consolidates existing provisions related to State safety programmes and safety management systems into a single Annex.

What is the new global reporting format for ICAO? The GRF is a new ICAO methodology for assessing and reporting runway surface conditions, which intends to reduce the safety risks related to runway excursions, the most common form of runway safety related incident.

Aviation Security Manual (Doc 8973 – Restricted), As distribution of Doc 8973 is restricted to authorized entities and individuals, sales may be subject to approval by the ICAO Aviation Security Policy Section, ... [icao int/Security/SFP/Pages/SecurityManual.aspx](https://icao.int/Security/SFP/Pages/SecurityManual.aspx)

Aviation Security Manual (Doc 8973 – Restricted), Aviation Security Manual (Doc 8973 - Restricted). 13th Edition, 2022. USD 679.00. [store icao int/en/aviation-security-manual-doc-8973](https://store.icao.int/en/aviation-security-manual-doc-8973)

Aviation Security Manual (Doc 8973 – Restricted) - ICAO Store, New and updated guidance material on areas such as unpredictability, behaviour ... passengers have been incorporated in this version. ... assessment methodology. [store icao int/en/aviation-security-manual-doc-8973](https://store.icao.int/en/aviation-security-manual-doc-8973)

Guidance Material - ICAO, This is a high-level, free opportunity to learn how ICAO iPacks help States implement ICAO Standards and Recommended Practices (SARPs). ICAO ... [icao int/safety/SafetyManagement/Pages/GuidanceMaterial.aspx#:~:text=The Safety Management Manual \(SMM\) \(Doc 9859\)&text=Guidance material on safety management,SMM\) \(Doc 9859\)](https://icao.int/safety/SafetyManagement/Pages/GuidanceMaterial.aspx#:~:text=The Safety Management Manual (SMM) (Doc 9859)&text=Guidance material on safety management,SMM) (Doc 9859))

What Is Aviation Security | Civil Aviation Authority of Fiji (CAAF), Doc 8973 - Security Manual for Safeguarding Civil Aviation Against Acts of Unlawful Interference - Free download as PDF File (.pdf), Text File (.txt) or ... [caaf org fj/security/what-is-aviation-security#:~:text=ICAO defines aviation security as,against acts of unlawful interference](https://caaf.org.fj/security/what-is-aviation-security#:~:text=ICAO defines aviation security as,against acts of unlawful interference)

Annex 17 - Aviation Security - ICAO, The Aviation Security Manual (Doc 8973 — Restricted) provides detailed procedures and guidance on aspects of aviation security and is intended to assist States ... [icao int/Security/SFP/Pages/Annex17.aspx#:~:text=SARPs for international aviation security,%2C French%2C Russian and Spanish](https://icao.int/Security/SFP/Pages/Annex17.aspx#:~:text=SARPs for international aviation security,%2C French%2C Russian and Spanish)

Aviation Security Manual Doc 8973 | PDF, ICAO Doc 8973, Appendix 16 contains technical recommendations and procedures to minimize the risk of an aircraft being hit by MANPADS. Supplementary ... [id scribd com/document/382143274/Aviation-Security-Manual-Doc-8973](https://id.scribd.com/document/382143274/Aviation-Security-Manual-Doc-8973)

Patricia Vieira - Aviation Security Manual (Doc 8973), New and updated guidance material on areas such as unpredictability, behaviour detection techniques, landside security, and screening of persons other than ... [linkedin com/posts/patriciavieira_aviation-security-manual-doc-8973-restricted-activity-7099714896669356033-E633](https://linkedin.com/posts/patriciavieira_aviation-security-manual-doc-8973-restricted-activity-7099714896669356033-E633)

8973 - Security Manual For Safeguarding Civil Aviation ..., The new edition of the Aviation Security Manual (Doc 8973 - 13th edition) is now available in all official languages. [scribd com/document/124503272/Doc-8973-Security-Manual-for-Safeguarding-Civil-Aviation-Against-Acts-of-Unlawful-Interference](https://scribd.com/document/124503272/Doc-8973-Security-Manual-for-Safeguarding-Civil-Aviation-Against-Acts-of-Unlawful-Interference)

Security - IACM, Detail Cantuman ; DOC 8973 RESTRICTED AVIATION SECURITY MANUAL. Bagikan ; Ketersediaan. #. My Library (ICAO) 387.7 ICA d. R0017ICAO. Tersedia ; My Library (ICAO) ... [iacm gov mz/app/uploads/2019/07/an_17_Security_10ed_2017_rev_15_01_04_17.pdf](https://iacm.gov.mz/app/uploads/2019/07/an_17_Security_10ed_2017_rev_15_01_04_17.pdf)

The ICAO Aviation Security Programme The ..., [icao int/Meetings/FAL12/Documents/Biernacki.pdf](https://icao.int/Meetings/FAL12/Documents/Biernacki.pdf)

Aviation Security Manual Doc 8973, [pdfcoffee com/aviation-security-manual-doc-8973-pdf-free.html](https://pdfcoffee.com/aviation-security-manual-doc-8973-pdf-free.html)

International Civil Aviation Organization's Post, [linkedin com/posts/icao_aviation-security-manual-doc-8973-restricted-activity-7074740028383350787-gPR-](https://linkedin.com/posts/icao_aviation-security-manual-doc-8973-restricted-activity-7074740028383350787-gPR-)

DOC 8973 RESTRICTED AVIATION SECURITY MANUAL, [elibrary icpa-banyuwangi ac id/index php?p=show_detail&id=1317](https://elibrary.icpa-banyuwangi.ac.id/index.php?p=show_detail&id=1317)

What are the 5 C's of cyber security? From small businesses to large enterprises, understanding the 5 Cs of cybersecurity—Change, Compliance, Cost, Continuity, and Coverage—is pivotal. These five components provide a robust framework, guiding businesses in safeguarding their digital assets.

What are the five 5 basic principles of cyber security?

What are the 7 types of cyber security?

What is the cyber security course all about? What is Cyber Security? Cyber Security study programmes teach you how to protect computer operating systems, networks, and data from cyber attacks. You'll learn how to monitor systems and mitigate threats when they happen.

What are the 5 D's of cyber security? The 5 Ds of perimeter security (Deter, Detect, Deny, Delay, Defend) work on the 'onion skin' principle, whereby multiple layers of security work together to prevent access to your site's assets, giving you the time and intelligence you need to respond effectively.

What are the 4 P's of cyber security? The BEAM Cybersecurity 4P Framework?? Unlock Robust Security with BEAM's Cybersecurity 4P Framework: Planning, Prevention, Protection, Privacy.

What are the 5 pillars of cyber security? The U.S. Department of Defense has promulgated the Five Pillars of Information Assurance model that includes the protection of confidentiality, integrity, availability, authenticity, and non-repudiation of user data.

What are the golden rules of cyber security? Use strong passwords -Avoid the use of names, dates and document numbers. - Do not disclose your password, do not write it down and do not use the same password for different logins as if someone finds it for one account, they will be able to access all the others.

What are the 5 Ps of cybersecurity?

What are the 7 pillars of cybersecurity? The seven pillars are: User, Device, Network & Environment, Application & Workload, Data, Automation & Orchestration, and Visibility & Analytics.

What are the 8 main cyber security threats?

What are the four 4 cybersecurity protocols? These security protocols, including encryption, authentication, intrusion detection, and firewall management, collectively contribute to a multi-layered defense against an array of cyber threats.

What is cyber security for beginners? Cybersecurity is the technology and process that is designed to protect networks and devices from attacks, damage, or unauthorized access.

What is the first step to learn cyber security? When it comes to learning about cybersecurity, it is important to use a credible and reliable source for cyber security training. Many online platforms offer courses in cyber security basics. Taking an online course or a bootcamp allows you to study at your own pace which is most comfortable.

Can I learn cyber security on my own? Yes! You can absolutely learn cyber security on your own!

What are the 5 elements of cybersecurity? What are the 5 Essential Elements of Cyber Security? A well-rounded cybersecurity framework includes five essential functions from the NIST Cybersecurity Framework: Identification, Protection, Detection, Response, and Recovery.

What are the 5 Ps of cybersecurity?

What are the 5 great functions of cybersecurity? The core functions are to identify, protect, detect, respond, and recover and aid organizations in their effort to spot, manage, and counter cybersecurity events promptly.

What do the 5 C's stand for? Character, capacity, capital, collateral and conditions are the 5 C's of credit. Lenders may look at the 5 C's when considering credit applications. Understanding the 5 C's could help you boost your creditworthiness, making it easier to qualify for the credit you apply for.

Cyber Security Principles: Mobile Devices ..., Amazon.com: Cyber Security Principles: Mobile Devices - Security Hazards and Threats - 2nd Edition (Computer Security) eBook : Spivak, Walter: Kindle Store. amazon.com/Cyber-Security-Principles-Devices-Computer-ebook/dp/B00VC6ASJO

Cyber-Security-Principles-Mobile-Devices- ..., Cyber Security Principles Mobile Devices Security Hazards And Threats 2nd Edition Computer Security Budget-Friendly Options. Navigating Cyber Security ... dhurbarata.edu/np/book/Resources/Download_PDFS/Cyber-Security-Principles-Mobile-Devices-Security-Hazards-And-Threats-2nd-Edition-Computer-Security.pdf

Cyber Security Principles: Mobile Devices Security Hazards And ..., Cyber Security Principles: Mobile Devices Security Hazards And Threats (Computer Security Book 2). Author: Walter Spivak Genre: Technology & Computing Length ... bookangel.co.uk/blog/cyber-security-principles-mobile-devices-security-hazards-and-threats-computer-security-book-2/

Decoding the 5 C's of Cybersecurity: Navigating the Digital Age Safely, Stallings, William, author. Computer security : principles and practice / William Stallings, Lawrie Brown, University of New South Wales,. Australian Defence ... technologysolutions.net/blog/decoding-the-5-cs-of-cybersecurity/#:~:text=From small businesses to large,in safeguarding their digital assets

Five Principles for Shaping Cybersecurity Norms - Microsoft, 1. Cybersecurity Basics · 2. Information Security Fundamentals · 3. Managing User Security · 4. Protecting and Controlling Physical Environments and Devices · 5. microsoft.com/en-us/cybersecurity/content-hub/five-principles-for-shaping-cybersecurity-norms

What is Cyber Security? The Different Types of Cybersecurity, Principles of Information Security examines the field of information security to prepare information systems students for their future roles as business ... checkpoint.com/cyber-hub/cyber-security/what-is-cybersecurity/

Why You Should Study a Cyber Security Degree in 2024, An accessible guide to cybersecurity for the everyday user, covering cryptography and public key infrastructure, malware, blockchain, and other topics. mastersportal.com/articles/2722/why-you-should-study-a-cyber-security-degree.html#:~:text=the bad guys %E2%80%9D-,What is Cyber Security%3F,mitigate threats when they happen

computer security - principles and practice, "Cyber security is primarily about people, processes, and technologies working together to encompass the full range of threat reduction, vulnerability reduction ...http://cs.unibo

it/babaoglu/courses/security/resources/documents/Computer_Security_Principles_and_Practice_(3rd_Edition).pdf

Principles of Cybersecurity, 2nd Edition, Every technology provider must take ownership at the executive level to ensure their products are secure by design. What it Means to Be Secure by Design. g-w.com/principles-of-cybersecurity-2025

Principles of Information Security, 2nd Edition | Request PDF, This guidance will help you understand the security risks posed by out of date devices, and advise you on how best to secure devices against the latest cyber ... researchgate.net/publication/311573700_Principles_of_Information_Security_2nd_Edition

Cybersecurity, mitpress.mit.edu/9780262542548/cybersecurity/

DIGITAL NOTES ON CYBER SECURITY (R18A0521), mrcet.com/pdf/Lab_Manuals/IT/CYBER_SECURITY_(R18A0521).pdf

Secure by Design, cisa.gov/securebydesign

Keeping devices and software up to date - NCSC.GOV.UK, ncsc.gov.uk/collection/device-security-guidance/managing-deployed-devices/keeping-devices-and-software-up-to-date

What is CHERUB Maximum Security about? The story is about a thirteen year old boy called James Adams who is a CHERUB agent. CHERUB is a secret organisation that recruits orphans aged eleven to seventeen to go on missions for intelligence agencies like the FBI or MI5. This particular book is about a mission James and two other fellow agents have to go on.

Is there a CHERUB book 18? Amazon.com: Dark Sun and other stories (Cherub Book 18) eBook : Muchamore, Robert: Kindle Store.

Is the Cherub series finished? New Guard is the final novel in the CHERUB series. It features characters from both the first and second CHERUB series in one big mission to rescue two hostages from the Islamic state in a high stakes mission to end all.

Is CHERUB a kids book? Book Description CHERUB: the number one bestselling spy thriller series for kids.

Is CHERUB appropriate? Parental Guidance. The first books are okay for over elevens (but still include some drugs and violence), but the book six and beyond include violence, drugs, alcohol and sex-related themes and scenes, prostitution and many disturbing images.

Is CHERUB Religious? cherub, in Jewish, Christian, and Islamic literature, a celestial winged being with human, animal, or birdlike characteristics who functions as a throne bearer of the Deity.

Do James and Kerry get married? In the epilogue, Uncle is sentenced to life in prison for terrorism and money-laundering offenses; Ning retires from CHERUB and begins dating Bruce; Ryan reunites with Nataka and brings her to live with him in the UK while he attends university; Lauren becomes a racecar driver; Kerry becomes a mission controller; ...

Who is cherubim in Islam? In Islam, al-karubiyyin "cherubim" or al-muqarrabin "the Close" refers to the highest angels near God, in contrast to the messenger angels. They include the Bearers of the Throne, the angels around the throne, and the archangels. The angels of mercy subordinate to Michael are also identified as cherubim.

Is CHERUB a real thing? What is Cherub? Cherub (Charles Henderson Espionage Research Unit B) is a fictional spy agency in Great Britain.

Maximum Security (novel), In this novel CHERUB agents James Adams and Dave Moss infiltrate a maximum security prison in Arizona to get to the son of an international arms dealer. Maximum ... en wikipedia org/wiki/Maximum_Security_(novel)

CHERUB: Maximum Security by Robert Muchamore - review, They are sent out on missions to spy on terrorists, hack into crucial documents, and gather intel on global threats—all without gadgets or weapons. It is a ... theguardian com/childrens-books-site/2014/apr/15/review-robert-muchamore-cherub-maximum-security#:~:text=The story is about a,agents have to go on

Dark Sun and other stories (Cherub Book 18) eBook - Amazon.com, Lauren Adams waits for them as they come out. They steal a car, but soon after, the prison realises that they have escaped. They are now classified as murderers ... amazon com/CHERUB-Dark-Sun-other-stories-ebook/dp/B00GU2N1AS#:~:text=Amazon com%3A Dark Sun and,%3A Muchamore%2C Robert%3A Kindle Store

CHERUB - Wikipedia, Now in paperback, an action-packed spy adventure with a bold new look! CHERUB agents are highly trained, extremely talented—and all under the age of ... en wikipedia org/wiki/CHERUB#:~:text=New Guard is the final,stakes mission to end all

Class A: Book 2 (CHERUB) : Robert Muchamore - Amazon UK, Image of Cherub Mission 3 Maximum Security. Text. Cherub Mission 3 Maximum Security. Muchamore, Robert - Personal Name;. Tidak Tersedia Deskripsi. Ketersediaan ... amazon co uk/Class-Book-CHERUB-Robert-Muchamore/dp/0340881542#:~:text=Book Description,spy thriller series for kids

How do I reset my ECU manually? Where is the reset button on a Kia Sportage? What are the symptoms of a bad ECU?

<https://agency4solutions.com>

CHERUB - Children's Books Wiki - Fandom, In this novel CHERUB agents James Adams and Dave Moss infiltrate a maximum security prison in Arizona to get to the son of an international arms dealer. [childrensbooks.fandom.com/wiki/CHERUB#:~:text=Parental Guidance,-Reading Age&text=The first books are okay,prostitution and many disturbing images](http://childrensbooks.fandom.com/wiki/CHERUB#:~:text=Parental+Guidance,-Reading+Age&text=The+first+books+are+okay,prostitution+and+many+disturbing+images)

Cherub | Definition & Facts | Britannica, Maximum Security is another Robert Muchamore book that you will plough through without even realising how much you have read and at that stage you will realise ...

[britannica.com/topic/cherub#:~:text=cherub%2C in Jewish%2C Christian%2C,throne bearer of the Deity](http://britannica.com/topic/cherub#:~:text=cherub%2C+in+Jewish%2C+Christian%2C,throne+bearer+of+the+Deity)

Maximum Security (Cherub, #3) by Robert Muchamore, James is a 13-year-old spy for British Intelligence. He poses as a prisoner in an Arizona supermax to befriend the incarcerated son of a weapons dealer. goodreads.com/book/show/1303564_Maximum_Security

Maximum Security - CHERUB Wiki - Fandom, 15 Apr 2014 — Maximum Security is a very intense, gripping book, the third in a series called CHERUB. The story is about a thirteen year old boy called ... cherub.fandom.com/wiki/Maximum_Security

Maximum Security (3) (CHERUB) - Books, CHERUB: MAXIMUM SECURITY ... The 3rd book in the CHERUB series by Robert Muchamore. amazon.com/Maximum-Security-CHERUB-Robert-Muchamore/dp/144241362X

Cherub Mission 3 Maximum Security, opac.lib.idu.ac.id/index.php?p=show_detail&id=3678

Maximum Security | CHERUBCOM Wiki - Fandom, cherubcom.fandom.com/wiki/Maximum_Security

Maximum Security (CHERUB, No. 3): Muchamore, Robert, amazon.com/Maximum-Security-CHERUB-No-Bk/dp/0340884355

Maximum Security — “CHERUB” Series, pluggedin.com/book-reviews/maximum-security/

CHERUB: Maximum Security by Robert Muchamore - review, theguardian.com/childrens-books-site/2014/apr/15/review-robert-muchamore-cherub-maximum-security

CHERUB: MAXIMUM SECURITY, youtube.com/playlist?list=PLQUGu3_qpwxNanyfWovfsGgl5VAU2xcOV

youtube.com/playlist?list=PLQUGu3_qpwxNanyfWovfsGgl5VAU2xcOV

100 to 1 in the Stock Market: A Distinguished Security ..., In 100 to 1 in the Stock Market, Thomas Phelps discloses the secrets and strategies to increasing your wealth one hundredfold through buy-and-hold investing ... amazon.com/100-Stock-Market-Distinguished-Opportunities/dp/1626540292

100 to 1 in the Stock Market: A Distinguished Security ..., In 100 to 1 in the Stock Market, Thomas Phelps discloses the secrets and strategies to increasing your wealth one hundredfold through buy-and-hold investing ... goodreads.com/book/show/25225992-100-to-1-in-the-stock-market

Jual 100 To 1 In The Stock Market Thomas William Phelps ..., In this indispensable guide, Phelps analyzes what made the big companies of his day so profitable for the diligent, long-term investor. You will learn how to ... tokopedia.com/bookarchive/100-to-1-in-the-stock-market-thomas-william-phelps-hardcover?utm_source=google&utm_medium=organic&utm_campaign=pdp-seo

100 To 1 In The Stock Market Thomas William Phelps, In this indispensable guide, Phelps analyzes what made the big companies of his day so profitable for the diligent, long-term investor. You will learn how to ... tokopedia.com/bookarchive/100-to-1-in-the-stock-market-thomas-william-phelps?utm_source=google&utm_medium=organic&utm_campaign=pdp-seo

tokopedia.com/bookarchive/100-to-1-in-the-stock-market-thomas-william-phelps?utm_source=google&utm_medium=organic&utm_campaign=pdp-seo

100 to 1 in the stock market;: A distinguished security ..., 100 to 1 in the stock market;: A distinguished security analyst tells how to make more of your investment opportunities, by Phelps, Thomas - ISBN 10: ... abebooks.com/9780070497726/100-stock-market-distinguished-security-0070497729/plp

Buy 100 To 1 In The Stock Market: A Distinguished Security ..., 100 To 1 In The Stock Market: A Distinguished Security Analyst Tells How To Make More Of Your Investment Opportunities by Thomas William Phelps from ... flipkart.com/100-1-stock-market-distinguished-security-analyst-tells-make-more-of-your-investment-opportunities/p/itm5485f3a1a34e

100 to 1 in the Stock Market: A Distinguished Security ..., In 100 to 1 in the Stock Market, Thomas Phelps discloses the secrets and strategies to increasing your wealth one hundredfold through buy-and-hold investing ... books.google.com/books/about/100_to_1_in_the_Stock_Market.html?id=sj72rQEACAAJ

100 to 1 in the Stock Market : A Distinguished Security ..., 100 to 1 in the Stock Market : A Distinguished Security Analyst Tells How to Make More of Your Investment Opportunities ; Author(s): Phelps, Thomas William griffinbooksonline.co.uk/collections/all/products/100-to-1-in-the-stock-market-a-distinguished-

security-analyst-tells-how-to-make-more-of-your-investment-opportunities

100 to 1 in the Stock Market: A Distinguished Security ..., 100 to 1 in the Stock Market: A Distinguished Security Analyst Tells How to Make More of Your Investment Opportunities. Regular price: Rs. 399.00. bookspringindia in/products/100-to-1-in-the-stock-market-a-distinguished-security-analyst-tells-how-to-make-more-of-your-investment-opportunities

100 to 1 in the Stock Market: A Distinguished Security ..., In 100 to 1 in the Stock Market, Thomas Phelps discloses the secrets and strategies to increasing your wealth one hundredfold through buy-and-hold investing ... amazon com be/-/en/Thomas-William-Phelps/dp/1626540306